

# URW-295 WITH HYDRAULIC JIB

## (2.9t x 1.4m)

- Total width 0.6m
- Max working radius 8.41m, 11.7m with searcher and single-line hooks
- Petrol powered with LPG and electric options
- Diesel powered with electric option
- Zero length increase with electric option (except diesel)
- Operator control of outrigger extension
- Radio remote control as standard
- Working area limitation
- Slew limitation (optional)
- Intelligent throttle activation for economy and ecology



Max Lifting Height With Jib 12.5m

Max. boom length 8.65m

Max. lifting height 8.8m

Capacity 2.9t x 1.4m

Weight 1890 - 2130kg  
(Depending on fuel option)

750kg Capacity  
Single Line Hook

750kg Capacity  
Searcher Hook

995kg Capacity  
Rhino Hook

750kg Capacity  
Stub



The URW 295 with hydraulic jib builds upon the proven features of the URW-295 and introduces four innovative attachments, enhancing its versatility for diverse lifting applications. The new telescoping luffing jib offers a maximum capacity of 750kg, jib extension range of 1.2m to 2.8m (800mm manual extension & 800mm of hydraulic extension). This attachment also features a luffing range of -10° to 60° offsets while also increasing the max lifting height of the crane to 12.5m and an impressive working radius of 9.1m. This new jib is perfect when you need that extra height or reach but still need to retain the benefits of the small chassis and outrigger options of the standard URW-295 model.

### ADDITIONAL FEATURES



Radio remote control



Full safe load indicator

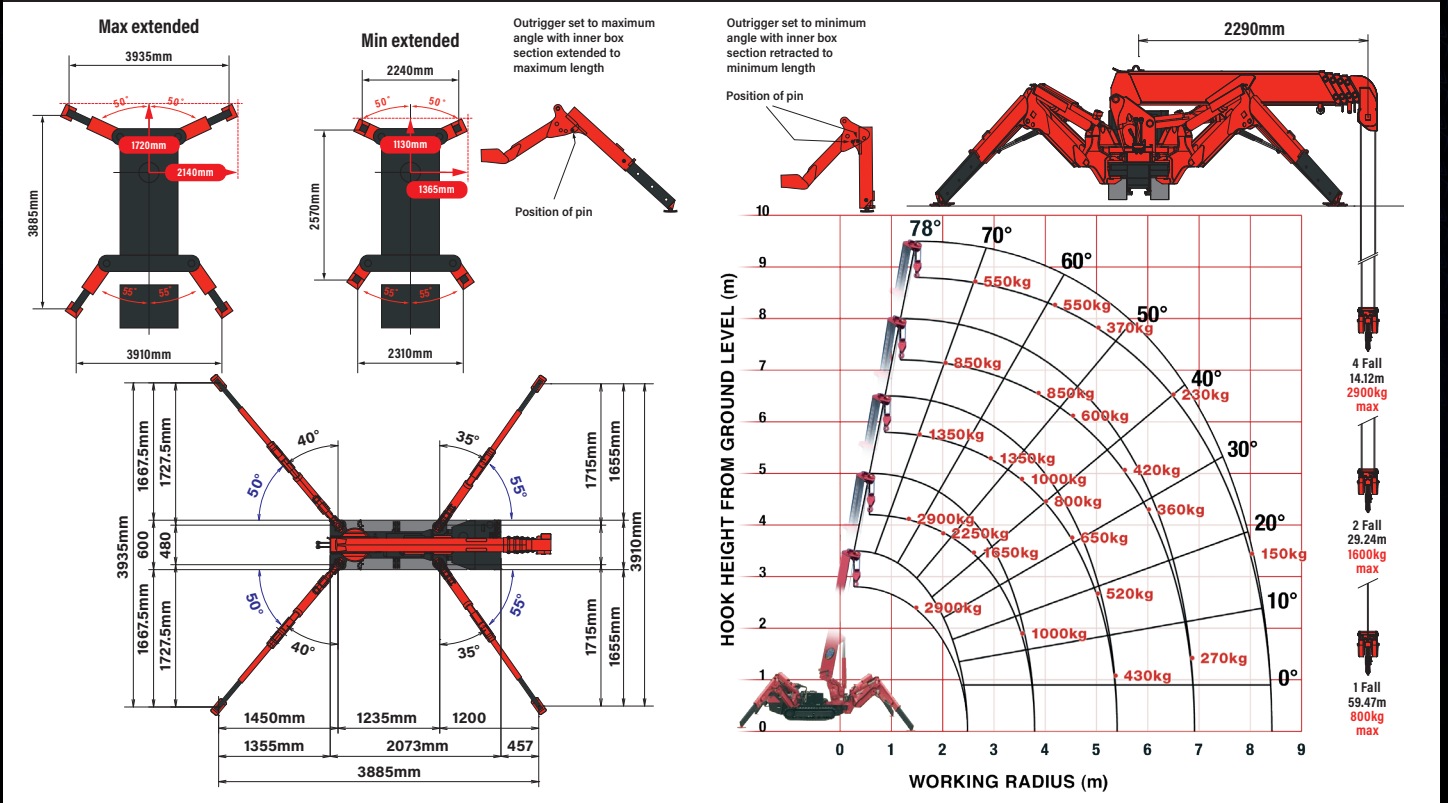
### CRANE SPECIFICATIONS

Crane capacity	capacity:	2.9t x 1.4m
Max working radius	max:	8.41m (11.7m with searcher hook and single-line hook, 10.9m stub, 9.1m rhino hook)
Max lifting height	approx:	8.8m (12.5m with searcher hook, 11.6m single-line hook, 12.03m stub, 9.85m rhino hook)
Rope length	max:	14,12 m (4 fall), 29,24 m (2 fall), 59,47 m (1 fall)
Dimensions	folded:	2690mm (2905mm diesel & electrical dual) (l) x 600mm (w) x 1375mm (h)
Weight	unladen:	1890kg (1990kg with electric option, 1960kg with diesel option, 2130kg with diesel and electric dual option)
Point loadings	Due to the many variables involved, point loadings are only available on request	
Hook speed	approx:	10m/min (with 4 layers and 4 falls)
Telescopic system	boom length:	2.53 - 8.65m
	telescoping speed:	6.12m/20 seconds
	boom type:	5 section, hydraulically telescoping boom, hexagonal box construction
Derricking angle/speed	approx:	0 - 78° /11 seconds
Slewing angle/speed	approx:	360° (continuous) /15 min rpm
Traction system	drive:	hydrostatic, stepless forward and reverse
	travel speed:	0 - 2.3 km/h
	gradeability:	± 20° (vertical) 10° (traverse)
	track ground length:	1050mm
	track ground pressure:	48kPa (0.49 kg/cm <sup>2</sup> )
	track width:	180mm
Engine	manufacturer:	Mitsubishi (Kubota diesel)
	drive:	petrol with LPG and electric options, diesel with electric option
	maximum output:	9.6kW (13PS) / 2000min rpm
	starting method:	electric and recoil start as standard
	tank capacity:	6 litres petrol, 9 litres diesel
Electric motor	power:	3.7kW
	voltage:	400v AC 50/60Hz
Standard equipment	computer controlled moment limiter (safe load indicator), radio remote control, overwinding alarm, computer controlled intelligent voice warning system, multi-function operation by radio remote control, intelligent throttle activation, automatic hook stow, overload warning alarms, overload warning lamps, working area limitation, 750kg hydraulic fly jib, 750kg hydraulic searcher hook, 995kg stub, 750kg rhino hook	
Optional equipment	1 fall hook block, 2 fall hook block, LPG dual power, mains electric dual power (400v), diesel engine, low marking tracks, slew limitation, searcher hook small 300kg, searcher hook 700kg, manual fly jib 700kg with single part line, radio remote control with feedback display (with 14500 SLI) and data logging, URW-295-3 variable outriggers	

# MINI SPIDER CRANE

## WITH HYDRAULIC JIB

### MAIN BOOM RATED LOADS WITH OUTRIGGERS SET TO MAX & OUTRIGGER POSITIONS



<b>SECOND STAGE EXTENDED 2.53 - 4.075M BOOM LENGTH</b>											
Working radius	m	up to 1.0	1.4	1.5	1.8	2.0	2.5	3.0	3.5	3.835	
Outrigger Max-extended without/with jib	kg	2900	2900	2650	2250	2050	1650	1300	1000	900	
Min-extended without jib	kg	2000	2000	2000	1450	1100	650	490	350	250	
Min-extended with jib	kg	2000	2000	2000	1450	1100	650	490	320	230	

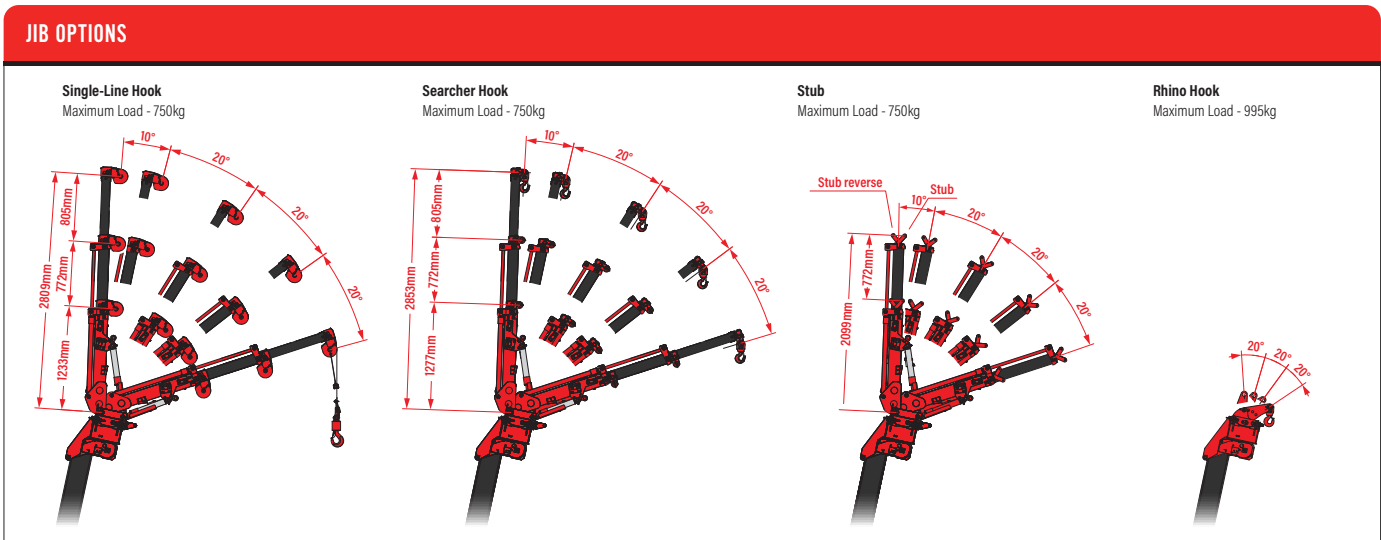
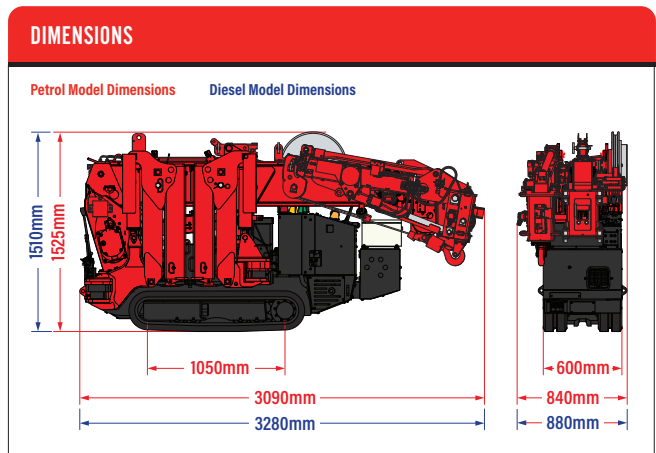
<b>THIRD STAGE EXTENDED 4.075 - 5.61M BOOM LENGTH</b>											
Working radius	m	up to 2.2	2.5	2.9	3.0	3.5	4.0	4.5	5.0	5.37	
Outrigger Max-extended without/with jib	kg	1350	1350	1350	1250	1000	800	650	520	430	
Min-extended without jib	kg	800	650	530	500	380	280	220	160	120	
Min-extended with jib	kg	800	650	520	490	320	190	120	70	40	

<b>FOURTH STAGE EXTENDED 5.61 - 7.13M BOOM LENGTH</b>											
Working radius	m	up to 3.3	3.8	4.0	4.5	5.0	5.5	6.0	6.5	6.89	
Outrigger Max-extended without/with jib	kg	850	850	750	600	500	420	360	320	270	
Min-extended without jib	kg	420	340	300	250	190	140	100	80	60	
Min-extended with jib	kg	350	240	190	120	70	30	-	-	-	

<b>FIFTH STAGE EXTENDED 7.13 - 8.65M BOOM LENGTH</b>											
Working radius	m	up to 3.8	4.1	4.5	5.0	5.5	6.0	6.5	7.0	8.0	8.41
Outrigger Max-extended without/with jib	kg	550	550	450	370	310	270	230	200	150	130
Min-extended without jib	kg	350	290	250	200	160	130	100	70	40	30
Min-extended with jib	kg	240	170	120	70	30	-	-	-	-	-





# MINI SPIDER CRANE

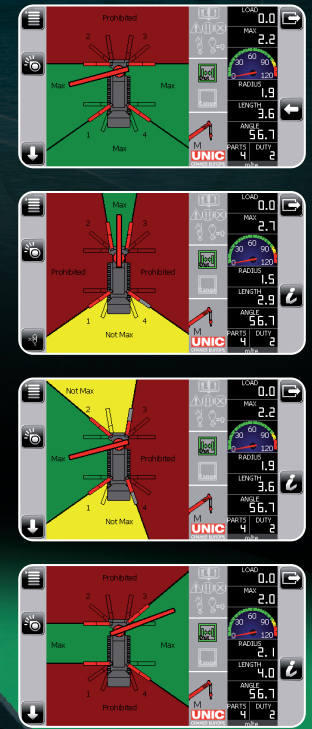
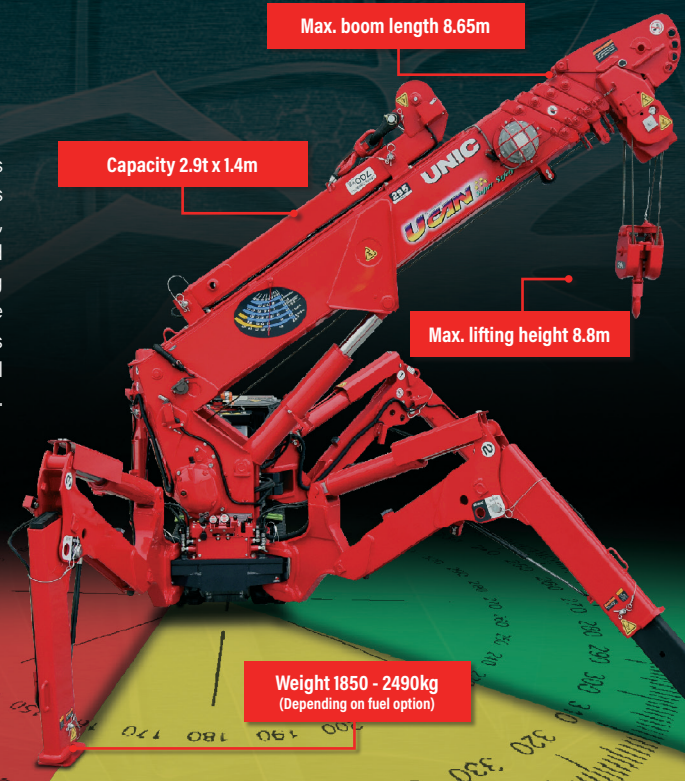
## WITH HYDRAULIC JIB



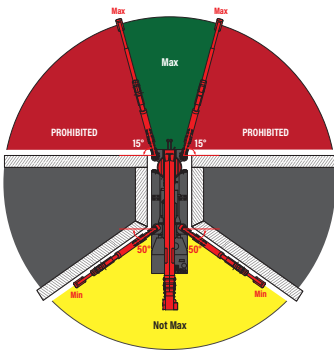
# URW-295-VO

## OPTIONAL VARIABLE OUTRIGGERS

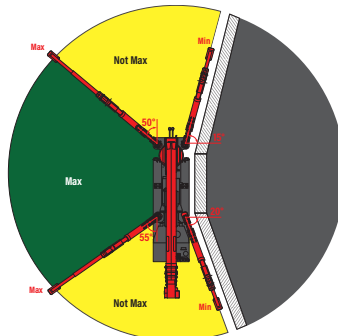
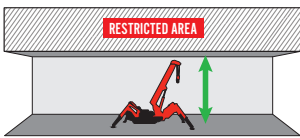
The UNIC URW-295-VO retains all the benefits of the standard URW-295 model, but sees the addition of variable, adjustable outriggers, enabling this mini crane to operate around fixed obstacles on site to suit the lifting requirements of each project. The adjustable outriggers reduce the working footprint of this already compact mini machine, making it ideal for working in extremely tight and small spaces.



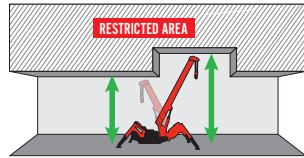
### OPTIONAL VARIABLE OUTRIGGERS INCLUDING SLEW & HEIGHT LIMITATION



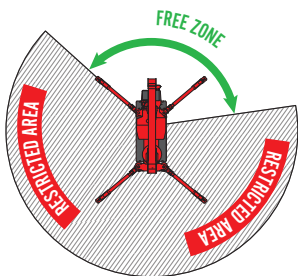
Height Limitation



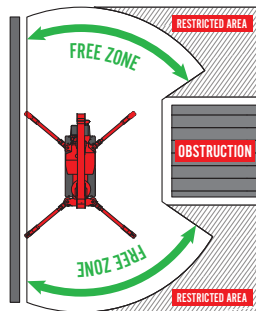
Variable Height Limitation



Slew Limitation



Variable Slew Limitation



### ADDITIONAL OPTIONAL 295-VO FEATURES



Optional radio remote control with digital feedback



Full colour high resolution safe load indicator

