

Pick & Carry Cranes

Machine of Choice For

G80 Pick & Carry Crane [8.0t x 1m]

The G80 pick and carry crane comes with an impressive 8 tonne lifting capacity, making this first class mobile crane the machine of choice for industrial heavy lifting.

When battery powered, the G80 runs with minimal noise and zero emissions. This 'green' crane is the perfect choice for working indoors or in sensitive areas, such as food preparation facilities.

An optional searcher hook with a 2.7 tonne safe working load can be fitted to the G80 making it easy to lift under soffits or overhangs; the addition of the searcher hook gives an overall maximum lifting height of 8.5m.

This machine is compact, at just 2060mm wide, and has outstanding manoeuvrability giving it a distinct advantage when working in tight spaces.

Reference Codes

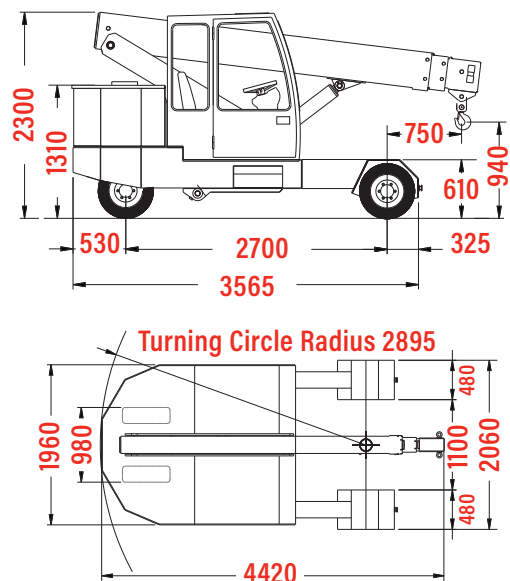
MCG80



Technical Specification

Capacity	8.0t x 1m
Maximum working radius	4.3m (6.5m with searcher hook)
Maximum lifting height	6.8m (8.5m with searcher hook)
Dimensions	3750mm (l) x 2060mm (w) x 2100mm (h)
Weight	7300kg
Boom length	4.3m
Boom type	3 section box boom (1+2+3 hydraulic)
Derricking angle	-7° to 50°
Steering	rear hydraulic 180°
Tyres	2 solid rear, 4 solid front
Electric power	12kW
Power source	80v rechargeable battery
Battery charger	415v
Travel speed	10km/h
Gradeability	±11.3° (without load)
Standard equipment	digital safe load indicator, joystick controlled proportional distributor, audio-visual overload alarm, reversing alarm, overload warning lamps
Optional equipment	full winch system, 2700kg capacity manual searcher hook

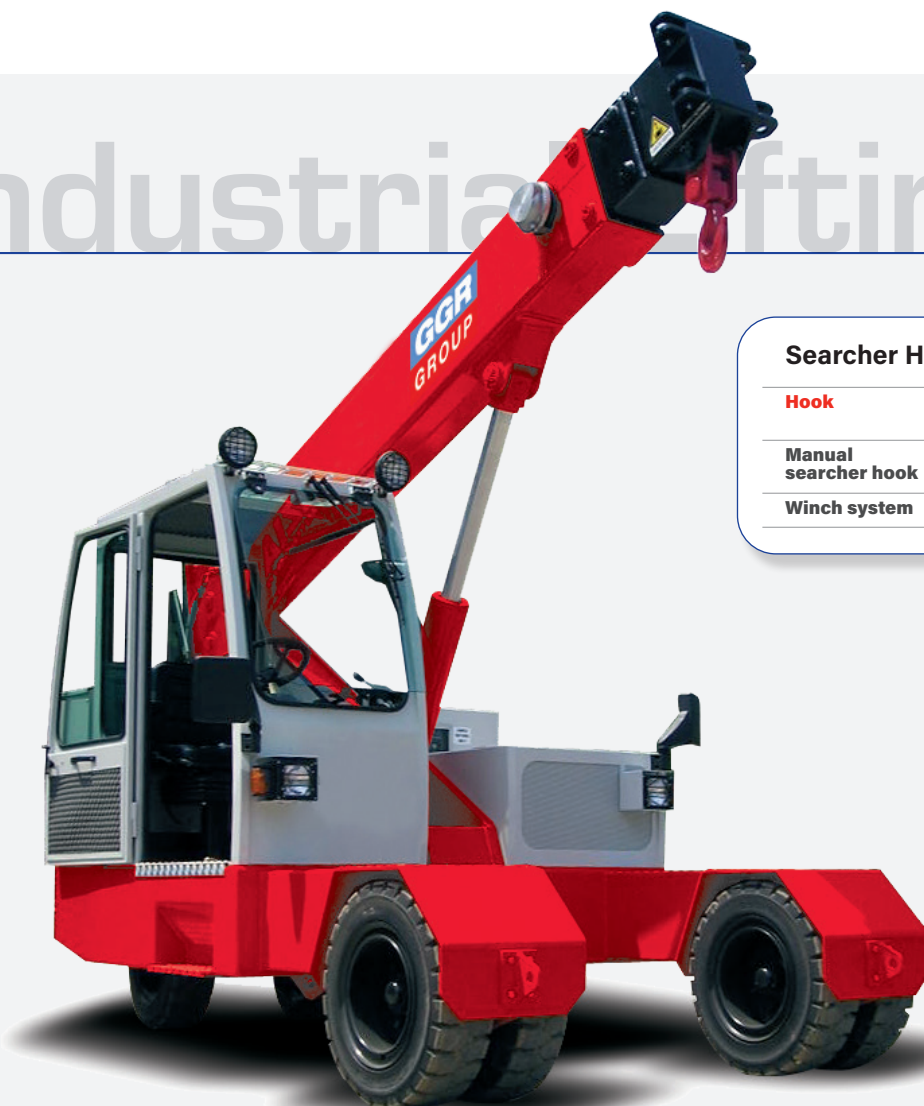
Technical Data (approx. mm)





Industrial Lifting

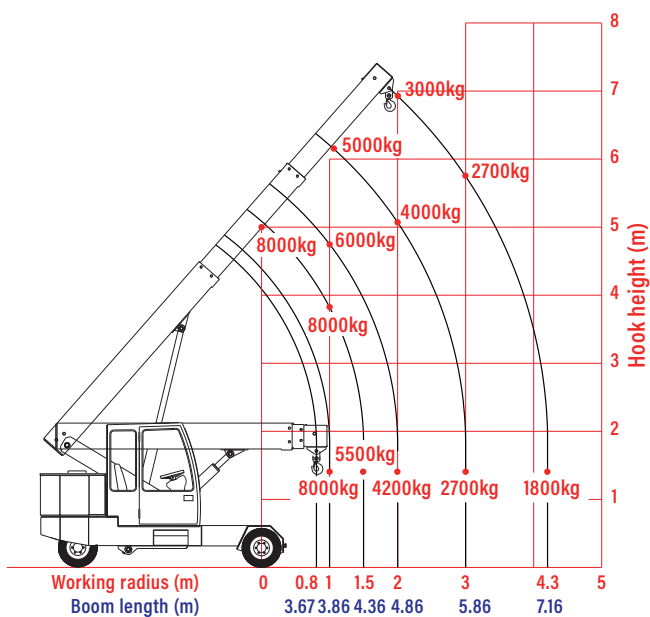
G80 Pick & Carry Crane



Searcher Hook Safe Working Loads

Hook	Max. Capacity	Max. Lift Height	Max. Radius
Manual searcher hook	2700kg	8.8m	6.5m
Winch system	8000kg	5.4m	4.3m

Rated Loads



Manual Searcher Hook Rated Loads

