

# Trailer, Special Use & Crawler Cranes

## This Innovative Crane Is

### TMC 400 Articulated Crawler Crane [4t x 4.9m]

At just 1.2 metres wide, this compact mini crawler features a lifting capacity of up to 4000kg and a benefits from a 1600kg pick and carry function for moving loads across site.

This innovative crawler crane can perform some of the most complex lifts in some of the most compact and confined areas where similar cranes cannot, thanks to its cross beam outrigger configuration, for optimum control of loads and minimum obstruction on site.

A leader in its field, this machine is the perfect solution for travelling across rough and uneven terrain due to its heavy-duty tracks and can even operate on steep and unlevel grounds thanks to its integrated control system.

Featuring a max lifting height of up to 21 metres, this versatile mini machine also benefits from 360° continuous slewing, creating a truly adaptable, powerful and unrivalled crane for a multitude of lifting applications.



#### Technical Specifications

<b>Maximum capacity</b>	capacity:	4t x 4.9m
<b>Maximum outreach</b>	outreach:	12m (17m with three section jib)
<b>Maximum hook height</b>	height:	14.8m (21.1m with three section jib)
<b>Slewing angle/speed</b>	slewing:	360° (continuous) 1 min rpm
<b>Winch</b>	first layer pull: rope length: speed :	1000kg 60m 46 m/min
<b>Weight</b>	crane:	4300kg, (230kg jib), (40kg electric motor), (65kg winch), (300kg mobile ballast)
<b>Traction system</b>	speed: gradeability: max pressure: track width: max outrigger load:	0-2km/h 25° 0.41kg/cm <sup>2</sup> 300mm 4770 daN
<b>Engine</b>	fuel: max power: max torque: tank capacity:	diesel 18.9kw/25.7Hp 64 Nm 25 litres
<b>Standard equipment</b>	standard:	radio remote control with display, winch fixings, jib fixings, outrigger control system, automatic stabilization, auto diagnostics, manual engine rpm increment
<b>Optional equipment</b>	optional:	1000kg hydraulic winch, lowered hook connectors, fourth, third line pull pulleys, outrigger plates, 4 LED working lights on base, 4 LED working lights on boom and jib, hydraulic jib with opening up to 195°, three phase electric engine (5.5kw/400V), auto engine rpm increment, low marking tracks, two man basket, LED lights for outriggers, automatic closing, electric engine with lithium battery

# A Leader In

**Reference Code**  
**TMC400**

The TMC 400 articulated jib allows operators to extend the maximum working radius to 17m.

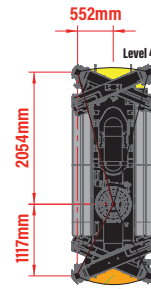
The 360° slewing and multiple outrigger positions allows heavy lifting in tight spaces.

TMC 400 radio remote control

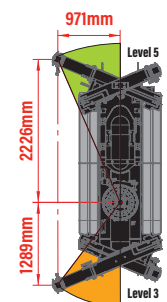


## Outrigger Position - Working Areas

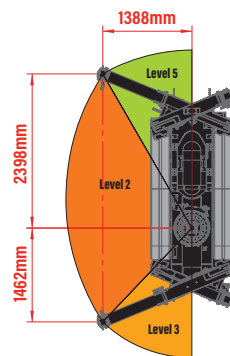
**Outriggers 0%**



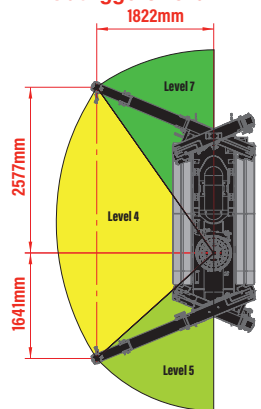
**Outriggers 25%**



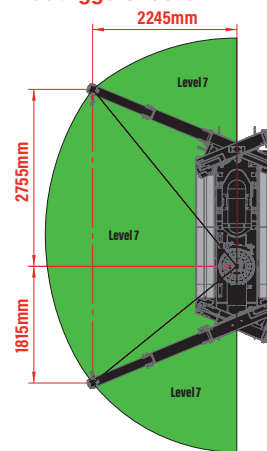
**Outriggers 50%**



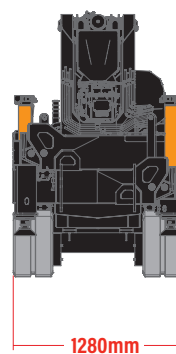
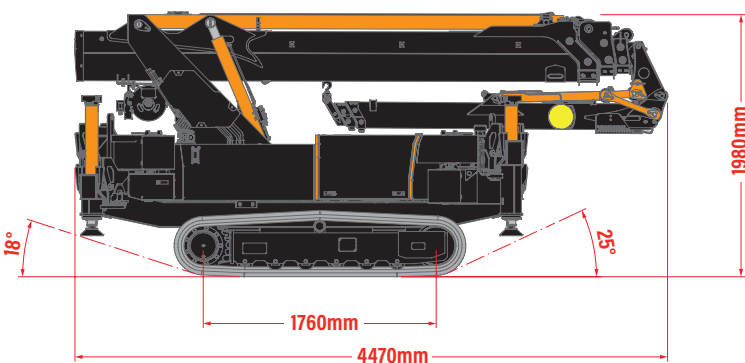
**Outriggers 75%**



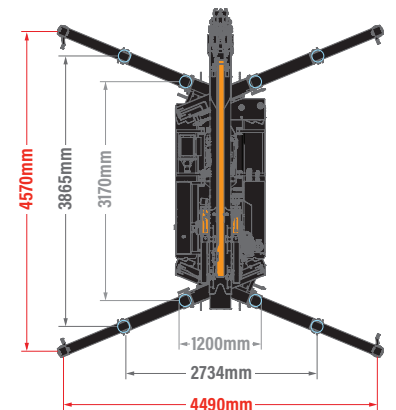
**Outriggers 100%**



## Technical Data (mm)



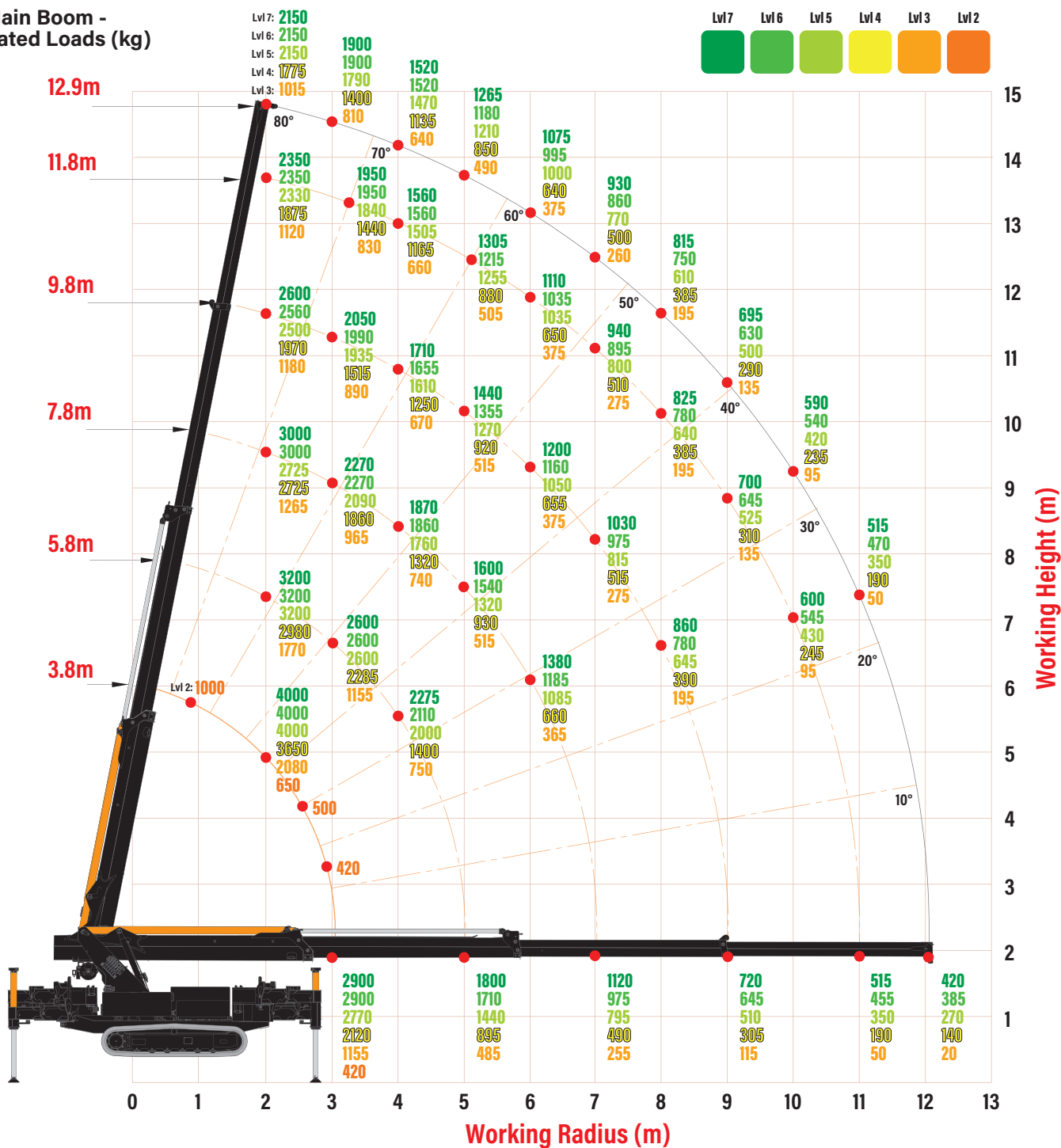
## Outrigger Dimensions



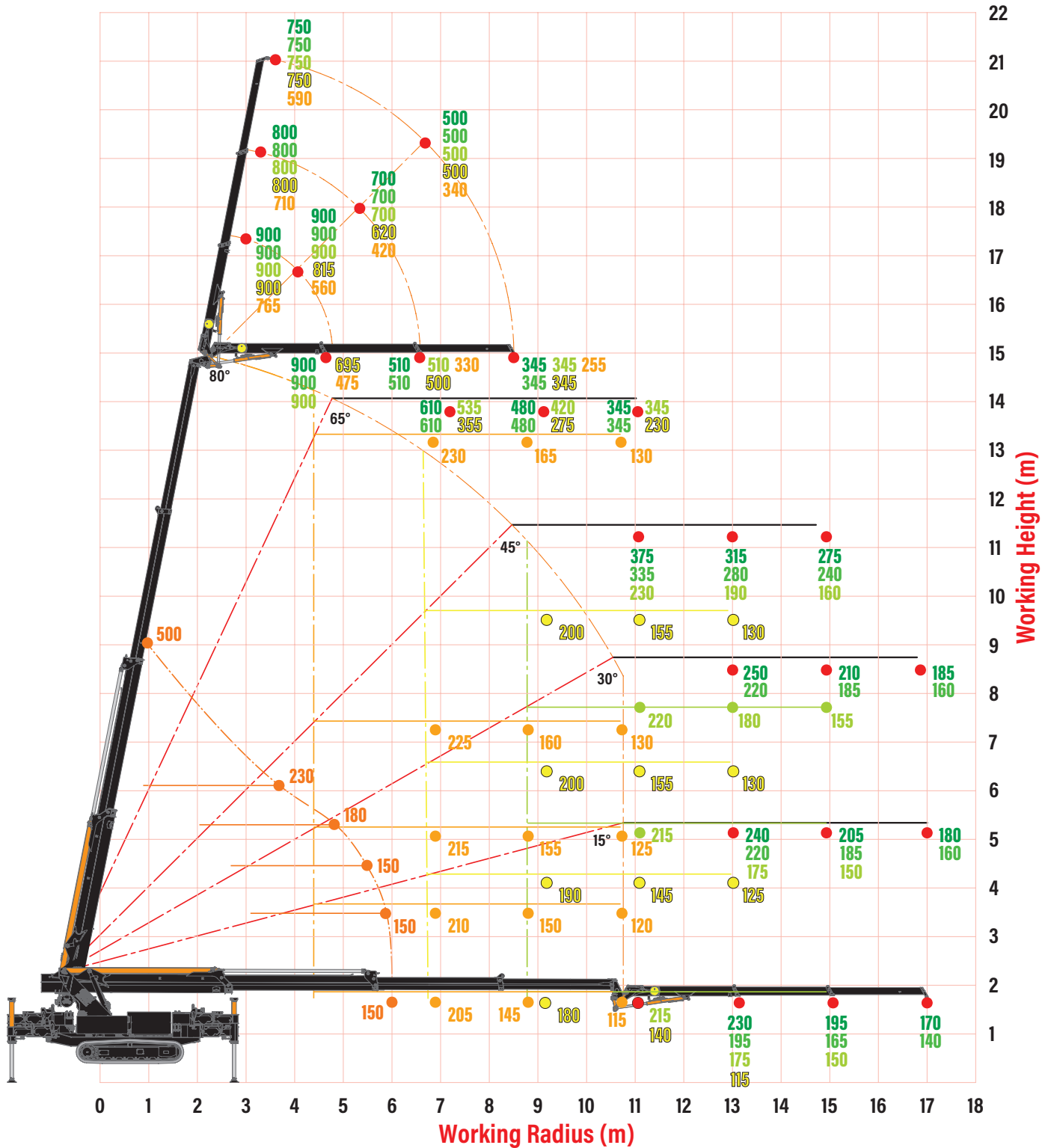
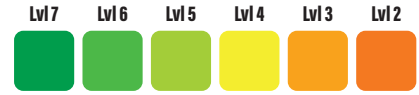
TMC 400 Articulated Crawler Crane

# Trailer, Special Use & Crawler Cranes

## Main Boom - Rated Loads (kg)

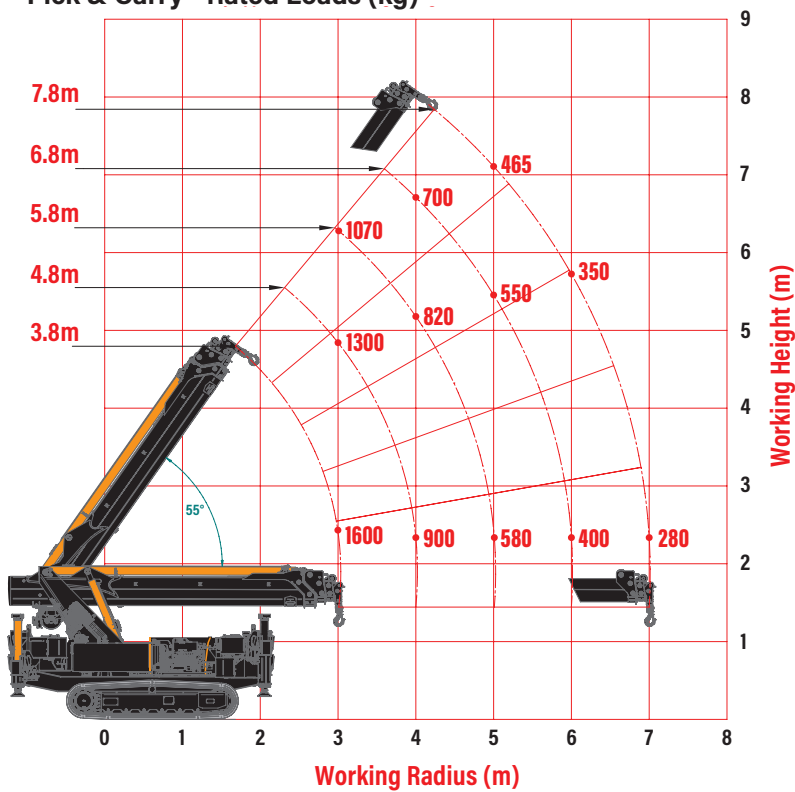


Jib - Rated Loads (kg)



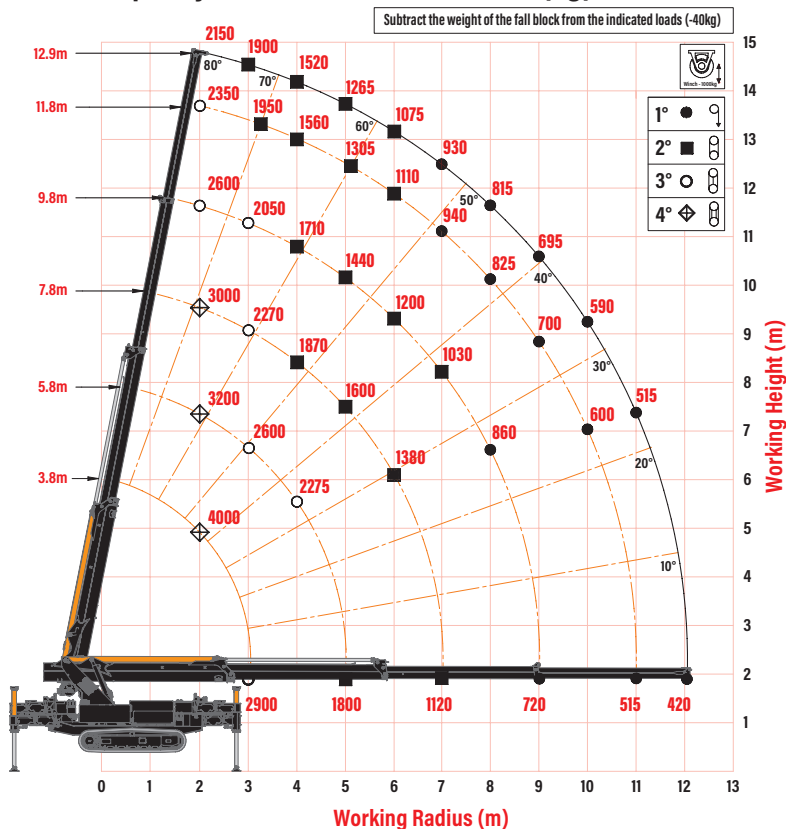
# Trailer, Special Use & Crawler Cranes

## Pick & Carry - Rated Loads (kg)



The TMC 400 articulated jib allows operators to extend the maximum height to 21m.

## Crane Capacity With Winch - Rated Loads (kg)



The optional 1000kg winch gives users greater flexibility

