

# Trailer, Special Use & Crawler Cranes

## The Latest Pick & Carry

### TMC 080 Tracked Pick & Carry Crane [800kg]

The fully electric TMC 080 with pick and carry abilities is the perfect compact crane for both indoor and outdoor projects.

Designed with a non-marking tracked chassis and producing zero emissions it is ideal for sensitive environments and Low Emission Zones across Europe. The extendable chassis can also be reduced to a 780mm width allowing access through doors and narrow passages.

With an 800kg maximum capacity crane, you can hoist loads onto the TMC 080's bed or transport loads by crane. Fully radio-controlled, operators can rotate the crane up to 50° to facilitate the easy transfer of the load to the platform.

Created with users in mind the TMC 080 is fitted with advanced safety features such as an anti-overload system.

#### Reference Code

**TMC080**



The searcher hook extends the reach by approximately 500mm, giving further reach and accessibility to tight working areas such as under soffits.

#### Technical Specifications

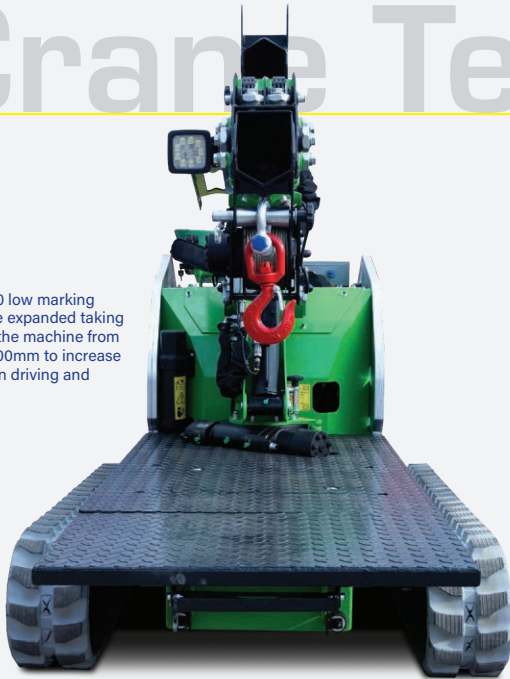
<b>Maximum capacity</b>	capacity:	800kg
<b>Maximum working radius</b>	outreach:	3.5m (main hook), 4.0m (searcher hook), 4.5m (fly jib), 5.0m (searcher hook & fly jib)
<b>Maximum hook height</b>	height:	4.6m (main hook), 5.0m (searcher hook), 5.69m (fly jib), 6.17m (searcher hook & fly jib)
<b>Slewing angle</b>	angle:	25° left + 25° right
<b>Weight</b>	crane:	1000kg approx.
<b>Traction system</b>	speed:	two speed - slow (5m @ 1.34min) & fast (5m @ 19s)
	gradeability:	20°
	ground pressure:	0.17kg/cm <sup>2</sup>
<b>Power source</b>	voltage:	48V/200Ah/100A
	charger:	110v/240v
<b>Standard equipment</b>	standard:	low marking tracks, radio remote control, rotating column (50°), anti-overload system
<b>Optional equipment</b>	optional:	500kg capacity winch*, searcher hook (500mm), fly jib (1000mm), LED work lamp, removable 500mm platform extension



\* Note: The 500kg winch does not have limit switches or a load limiter, so work should be carried out carefully so as to not exceed the permissible range of movement.

# Hy Crane Technology

The TMC 080 low marking tracks can be expanded taking the width of the machine from 780mm to 1100mm to increase stability when driving and lifting loads.



The TMC 080 features a 1000mm fly jib that can be extended even further by adding the searcher hook as well.

The carrying capabilities can be expanded on with the optional removable 500mm extension plate.



The optional 500kg max capacity winch\* extends the capabilities of the TMC 080 even further.

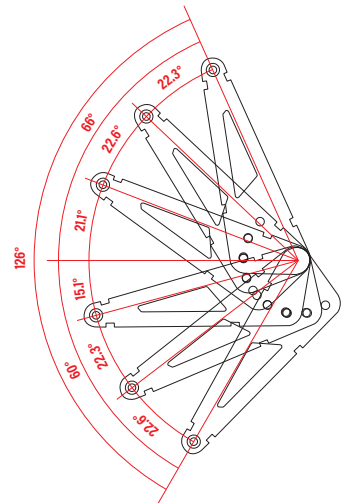


The control of the TMC 080 Pick & Carry Crane is done fully by radio remote, allowing operators to maintain a safe distance.

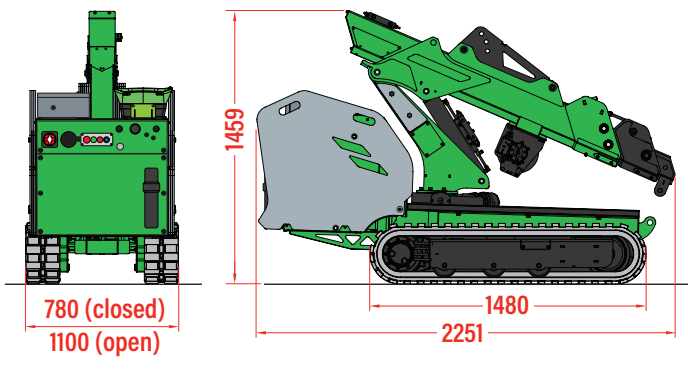


The battery-powered TMC 080 Pick & Carry Crane is charged via 240v and can be used while plugged in.

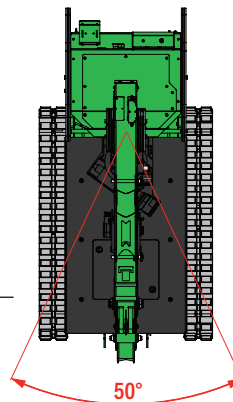
## Searcher Hook Angles



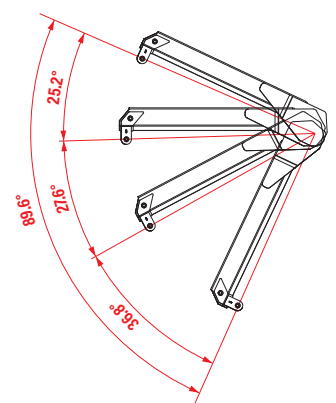
## Technical Data (mm)



## Boom Rotation



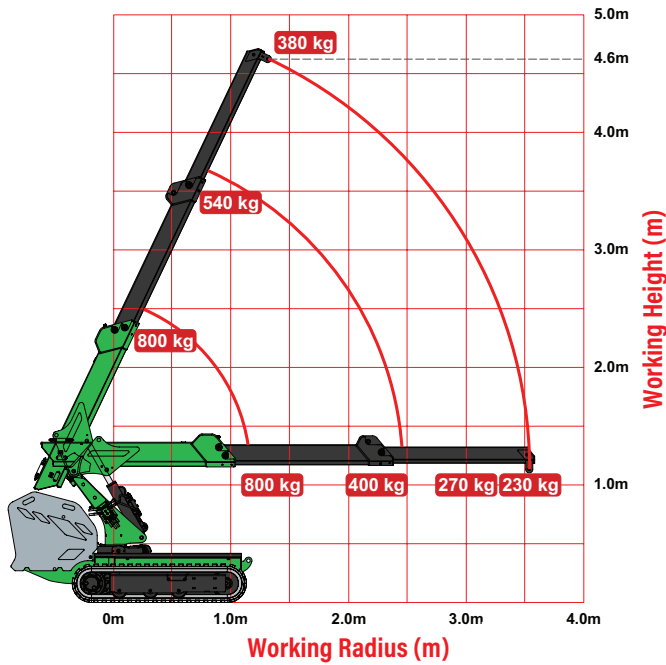
## Fly Jib Angles



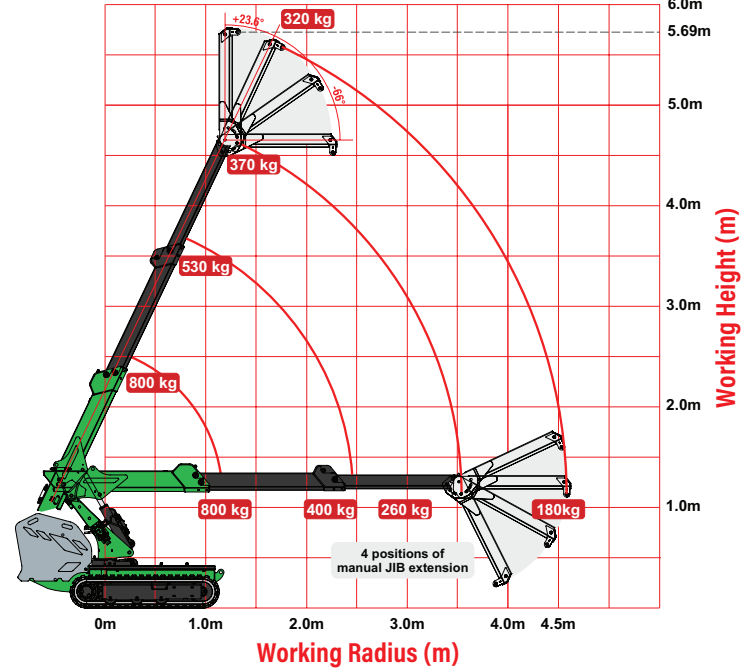
The rotation function should only be used when the tracks are in the open position.

# Trailer, Special Use & Crawler Cranes

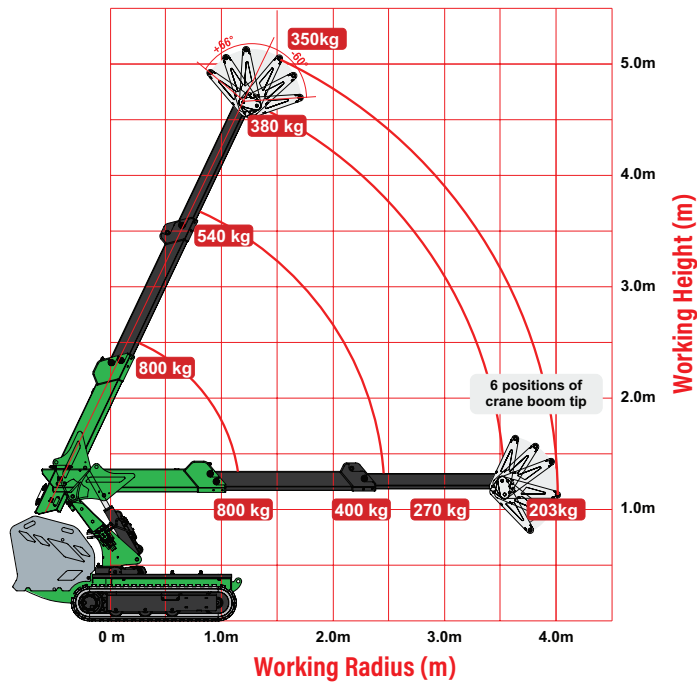
## Rated Loads - Main Hook



## Rated Loads - Fly Jib



## Rated Loads - Searcher Hook



## Rated Loads - Searcher Hook & Fly Jib

