

# Our Largest Capacity

## Libro 20,000 [20,000kg]

For the largest and heaviest jobs, GGR's Libro 20,000 is the ultimate in overhang beams, with a mammoth 20 tonnes capacity this unrivalled machine is designed for use with tower cranes and mobile cranes to aid in the installation of glass, cladding, stone and curtain walling up to an overhang of 3m deep.

The Libro 20,000 is fully battery powered by a 24v rechargeable battery which powers the counterweight rack and pinion saddle. Easily controlled by the radio remote provided, the saddle can be moved along the steel beam to balance the load under hook.

With a safety feature preventing the main beam going beyond a +/- 10° incline, the Libro 20,000 overhang beam also includes a solid integrated hook.

Weighing 8105kg and the ability to handle 20,000kg this gargantuan overhang beam is perfect for the heaviest of lifts that the modern world demands.

### Key Features

- Capacity: 20,000kg
- Suitable for overhangs up to 3m deep
- Hook attachment
- Radio remote control for counterweight saddle
- 24V DC battery with separate 110/240v charger

### Reference Code

**VOB20000**



### Technical Specifications

<b>Safe working load</b>	capacity:	20,000kg
<b>Weight of Libro</b>	weight:	8105kg (with counterweights) 2600kg (without counterweights)
<b>Weight of stand (without Libro)</b>	weight:	395kg
<b>Depth of overhang</b>	depth:	3000mm
<b>Balance control</b>	control:	rack and pinion counterweight saddle
<b>Power requirements</b>	power:	24V DC rechargeable battery 110/240v battery charger
<b>Standard accessories</b>	standard:	radio remote control to operate counterweight saddle

### Capacities At Each Overhang Length

Overhang (mm)	Capacity (kg)	Weight Trolley Position
1500mm	20,000kg	1
1750mm	16,700kg	2
2000mm	13,700kg	3
2250mm	11,500kg	4
2500mm	9600kg	5
2750mm	8100kg	6
3000mm	6700kg	7

*Please note: The above capacities are only possible when all 24 counterweights are used. Removing any counterweights will reduce the maximum capacities.*

*Use of below-the-hook vacuum lifters depend on type of project.*

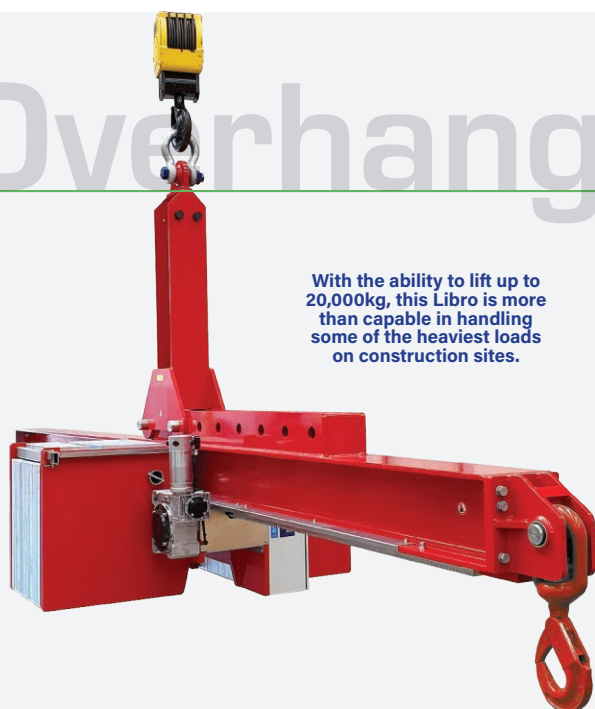
Radio remote control  
as standard



# Overhang Beam

Libro 20,000

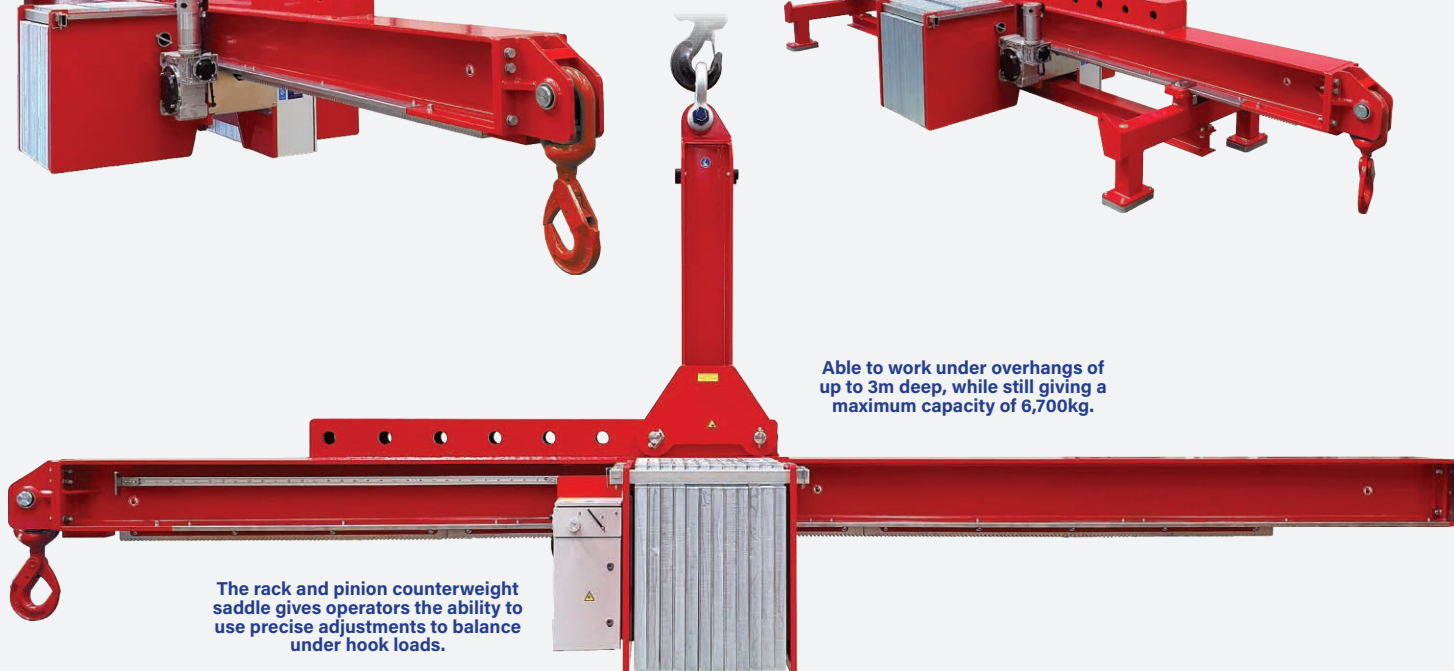
With the ability to lift up to 20,000kg, this Libro is more than capable in handling some of the heaviest loads on construction sites.



The Libro 20,000 comes complete with its own transport and storage stand for the overhang beam while it's not in use and protects the machine from damage.

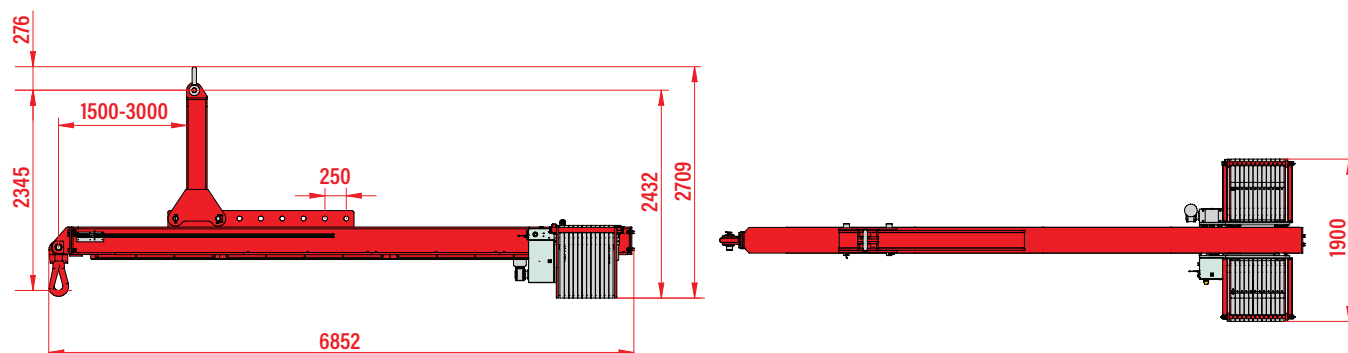


Able to work under overhangs of up to 3m deep, while still giving a maximum capacity of 6,700kg.



The rack and pinion counterweight saddle gives operators the ability to use precise adjustments to balance under hook loads.

## Technical Data (mm)



### Transportation Notes:

1. When transporting the Libro 20,000 all counterweights must be removed and transported separately to the beam.
2. The Libro should not be lifted on the storage frame by using the lifting points on the storage frame, the storage frame lifting points are to lift the storage frame alone.