

Bravo Lever Hoists

[250 - 6000kg]

The range of Bravo Lever Hoists are particularly suitable for tensioning, lifting, handling and traction operations, with optimum safety thanks to exclusive desynchronised pawls preventing any unintentional release of the load. The range of capacities goes from 250kg to 6000kg.

With permanent load control and automatic load brake closure, operators can be assured that they're in full control. The free wheel system allows the fast and easy pull through of the load chain, assisted by the roller and block chain guides that ensures a smooth chain action through the hoist.

With galvanised fittings and an epoxy paint finish the Bravo Lever Hoists are suitable for use in rougher environments.

Key Features

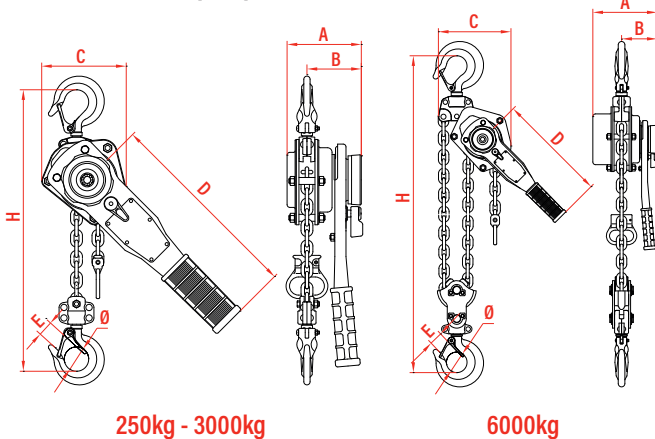
- 250-6000kg capacity
- Permanent load control
- Optimised for safety with two independent desynchronised pawls
- Free wheel system/neutral position allows a fast and easy pull through of the load chain
- Roller and block chain guides
- Galvanised fittings and epoxy paint
- Forged steel hooks with 360° rotation and overload opening indicators
- Compact and lightweight
- Rubber handle improves grip

Reference Codes

250kg capacity - LAH130
 500kg capacity - LAH135
 3000kg capacity - LAH136
 6000kg capacity - LAH139



Technical Data (mm)



Technical Specifications

Capacity	250kg	500kg	3000kg	6000kg
Min distance between hook (mm) (H)	230	305	480	610
Max force on handle at max capacity (daN)	28	39	39	41
Number of ropes	1	1	1	2
Chain dimensions	4x12	5x15	10x30	10x30
Dimensions (mm)	A	102.5	107	205
	B	77	78	114
	C	75	121	191
	D	157	288	348
	E	20	22	39
	Ø	28	35	55
Net weight (kg)	2.1	5	21.4	30.2
Additional weight by lifting m (kg)	350	560	2230	4460