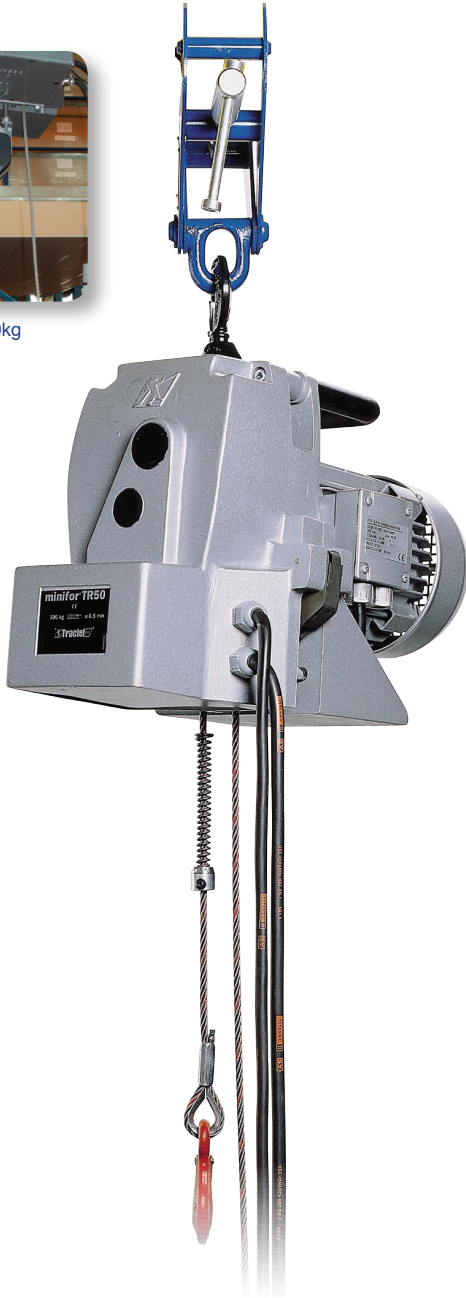




Pendant remote as standard



Optional 950kg sheave kit



Technical Specification Sheet

# Minifor® TR50

Faster than the TR30 and with a 500kg capacity, the TR50 also boasts a standard 2.5m pendant control cable with emergency stop function.

110v, 16A mains-powered. Weight of device: 31kg.

Options:

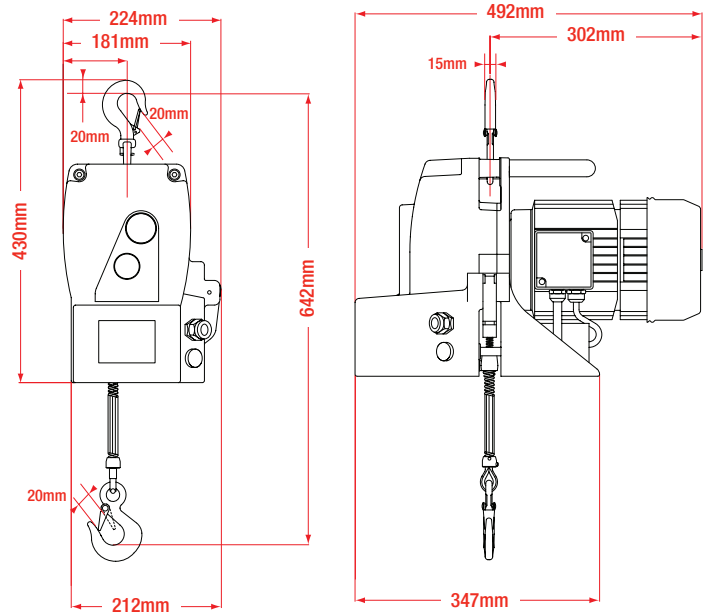
- Radio remote control
- Pendant cable lengths
- Sheave kit (1000kg)

## Reference Codes

Minifor® TR50 - **LAH125**

Optional Radio Control - **LAH126**

## Dimensions



N.B: 30m/70m wire rope supplied as standard with hire of hoist. If purchasing Minifor® TR30, wire rope must be bought separately.

**HIRE OR PURCHASE TODAY - CALL OUR SPECIALIST TEAM ON:**

North: +44 (0)161 683 2580 - South: +44 (0)1844 202 071 - Scotland: +44 (0)1698 824 444