

A Highly Adaptable Floor Crane

GML800+ Floor Crane [800kg]

The 800kg capacity GML800+ includes as standard a crane hook to hang a glass vacuum lifter under. Operators can install glazing fast and efficiently with the GML800+ powered mast, to a maximum lifting height of 7.94m.

Optional attachments include a dedicated glass vacuum lifter which benefits from a 90° powered tilt function, 15° slew left and right and 360° continuous powered rotation, this optional extra machine can be used to help lift and install vertical and horizontal glazing, such as canopy and sky lights.

An optional 1.2m long hook and forks are also available with a maximum lifting capacity of 800kg.

The GML800+ can easily be assembled and disassembled for use in hard to reach areas. It's small dimensions also allow it to work in confined spaces.

Key Features

- Capacity: 800kg / 500kg (with VCL98 vacuum lifter)
- Max lifting height: 7.94m (powered)
- Width: 950mm (outriggers folded), 2800mm (outriggers out)
- Vacuum head tilt: 90° powered
- Vacuum head rotation: 360° powered
- Weight: 666kg (with standard hook), 810kg (with lifter and extension arms)

Reference Code

GML800+ with hook: **MCO03**

Optional vacuum lifter: **VCL98**



The GML800+ can be used with its own optional glass vacuum lifter with radio remote for total control when glazing at height. The maximum capacity is reduced if using the VGL98 Glass Vacuum Lifter to 500kg.

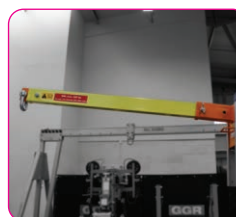
Technical Specifications

Capacity	800kg (with standard hook)
Working length	2400mm
Max lifting height (powered)	7.94m
Weight (standard)	666kg
Weight (with vac lifter)	810kg (inc. extension arms)
Vacuum head tilt	90° powered
Vacuum head rotation	360° powered
Power requirements	Battery or mains powered 110/230v
Standard accessories	800kg capacity forks, cable remote for boom raising & lowering
Optional accessories	200kg capacity 1.2m long jib, 800kg capacity hook, 500kg capacity vacuum lifter with radio remote

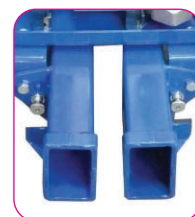
Hook as standard (800kg capacity)



Optional 1.2m long jib (200kg capacity)



Battery or mains powered 110/240v.



Optional forks (800kg capacity)



Cable remote for boom raising & lowering

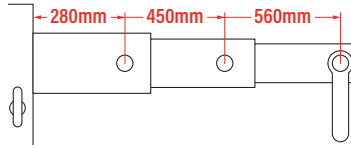


Fork lift points for ease of transportation.



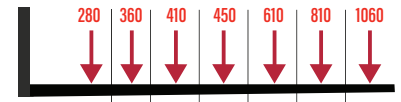
Standard Hook Only Version

Position ① 800kg Position ② 507kg Position ③ 407kg



Fork Rated Loads

Wheel To Load Centre (mm)



800	608	561	507	407	300	230
-----	-----	-----	-----	-----	-----	-----

Capacity (kg)

Narrow Profile:
950mm Wide

Outriggers unfolded:
2750mm Wide

3 Modes Of Power:

- Battery
- Battery While On Charge
- 110/230v

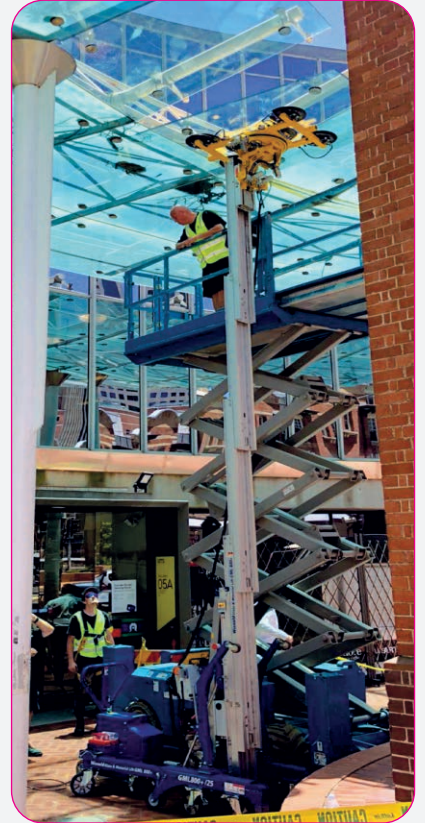
Radio remote for
vacuum lifter



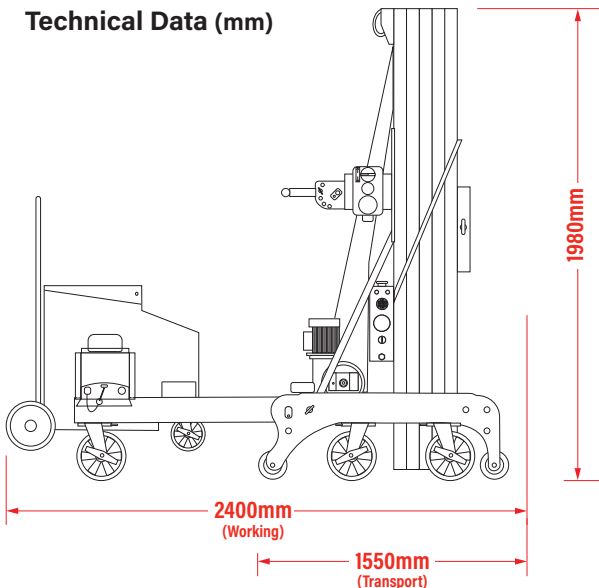
Maximum lifting
height of 7.94m
(with hook)

Powered boom raising
and lowering via cable
remote control

Multi-positional
outriggers for total
control and versatility



Technical Data (mm)



Technical Data - Vacuum Lifter Frame (mm)

