



Technical Specification Sheet

Glassmax Electric 250 [MCO13]

This electric powered winch can safely and effortlessly lift loads of up to 250kg, helping to save time on site as well as reduce the risk of worker injury associated with manual handling.

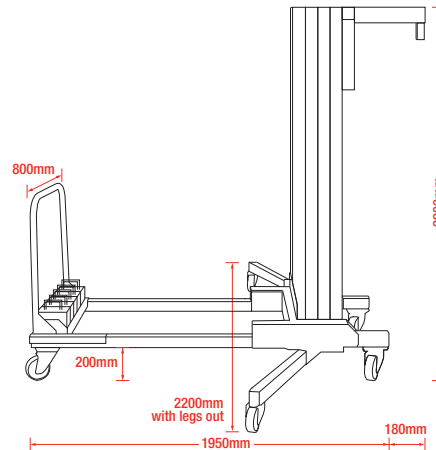
Lightweight, compact and simple to assemble, the Glassmax Electric 250 comes with removable counterweights and folds up easily for transportation.

GGR Group also have a broad range of vacuum lifters that are compatible with the Glassmax Electric 250 to assist with vertical and overhead glazing installation work.

Features

- Capacity: 250kg
- Lifting Height: 7.5m (with fork), 7.2m (with hook)
- Chassis Dimensions: 2130mm (l) x 800mm (w)
- Weight 230kg (330kg with counterweights, not including winch)
- Requires 220V mains power supply

Dimensions



Note 1: Counterweights must be secured before lifting.
Note 2: When using fork attachment the load must be centralised and secured.

HIRE OR PURCHASE TODAY - CALL OUR SPECIALIST TEAM ON:

North: +44 (0)161 683 2580 - South: +44 (0)1844 202 071 - Scotland: +44 (0)1698 824 444

www.ggrgroup.com