

Glass Vacuum Lifters

Moulds To Convex & Co

DSZ2-12V Curved Glass Lifter [400 & 600kg]

The DSZ2-12V vacuum lifter retains all the benefits of our standard curved glass lifters yet boasts 90° hydraulic dampened tilt and manual 360° rotation for effortless movement of glass.

The DSZ2-12V encompasses 16 or 24 pads mounted onto flexible swivel arms that mould themselves to a load. This specialist lifter can be configured two ways to suit convex or concave glass loads weighing up to 400 or 600kg.

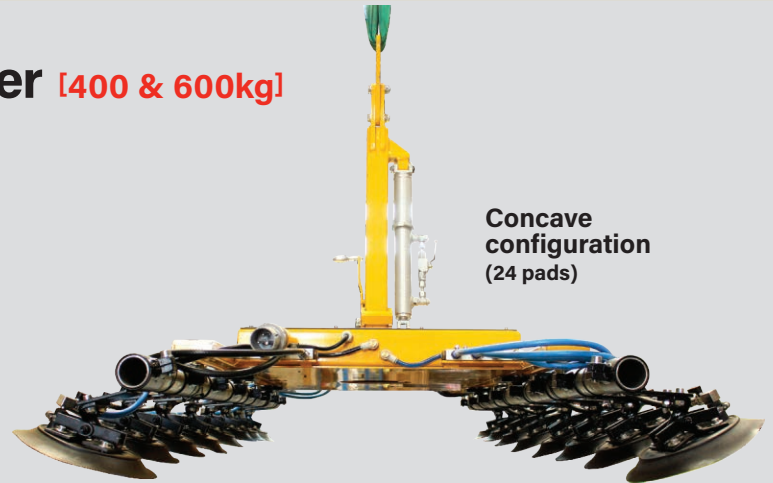
Key Features

- Capacity: 400kg (16 pads) & 600kg (24 pads)
- Dual circuit vacuum system with reserve tank, non-return valve and vacuum gauge for each circuit
- Hydraulic dampened 90° tilt
- Manual 360° lockable continuous rotation
- Two or four integral maintenance free vacuum pumps
- 2 x12v rechargeable batteries with integral 110v or 240v charger and battery energy gauge
- Audio-visual low vacuum warning
- Battery energy gauge
- On-board control panel

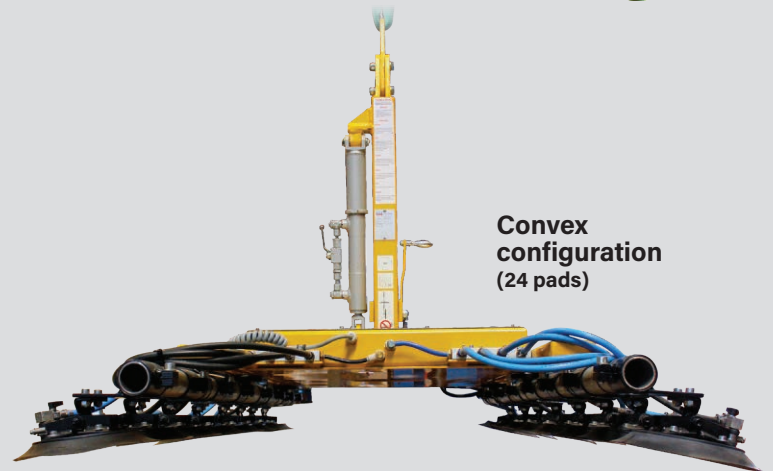
Reference Codes

DSZ2-12V Curved 400kg - **VGL24**

DSZ2-12V Curved 600kg - **VGL38**



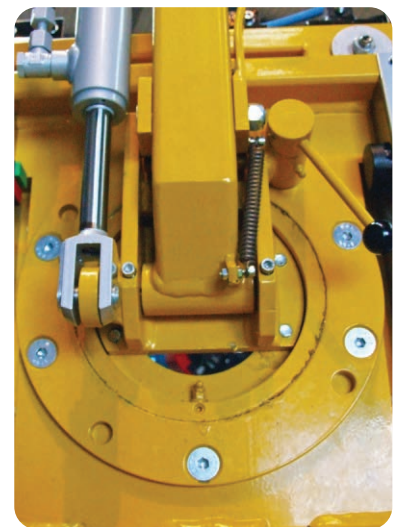
Concave configuration
(24 pads)



Convex configuration
(24 pads)

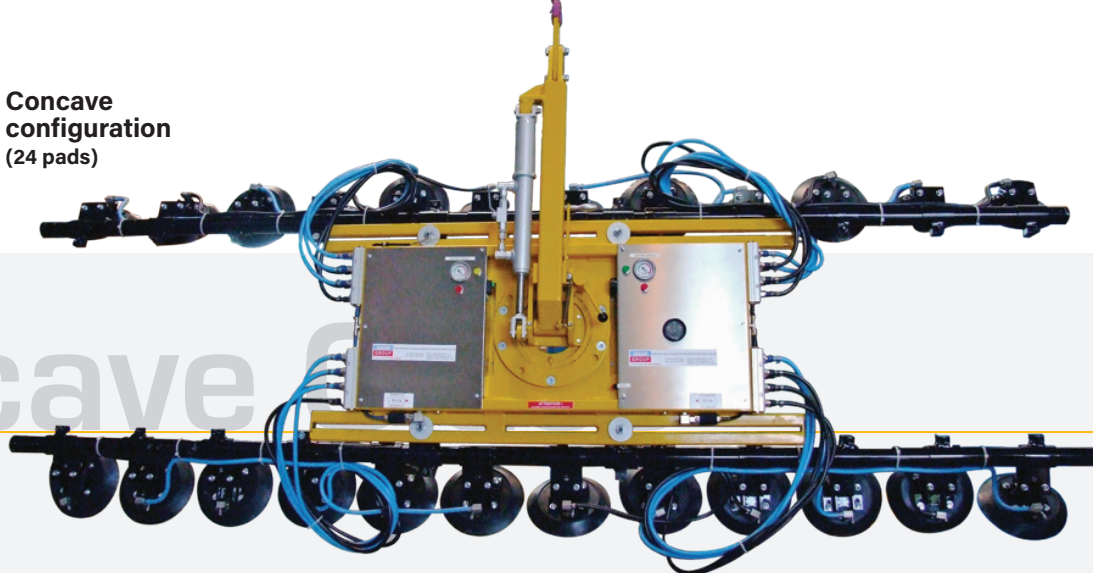
Technical Specifications

Safe working load (smooth, clean surface at 60% vacuum)	capacity:	600kg	400kg
Number of suction cups	cups:	24	16
Suction cup	description:	black rubber, not abrasion resistant	
Suction cup diameter	diameter:	220mm	
Suitable for lifting	material properties:	gastight / non-porous	
	surface:	smooth	
	example:	glass, plastic boards, sheet metals, coated boards	
Weight of lifter	approx:	190kg	175kg
Depth of lifter	depth:	300mm	
Rotation	rotation:	360° manual lockable lockable in 90° positions	
Tilt	tilt:	90° hydraulically dampened	
Vacuum system	dual circuit:	2 or 4 pumps, 2 vacuum reserve tanks	
Voltage	pump:	12v DC from x 2 rechargeable batteries	
	battery charger:	110v/240v 50/60Hz single phase factory selectable	
Optional accessories	optional:	cable remote control, radio remote control	

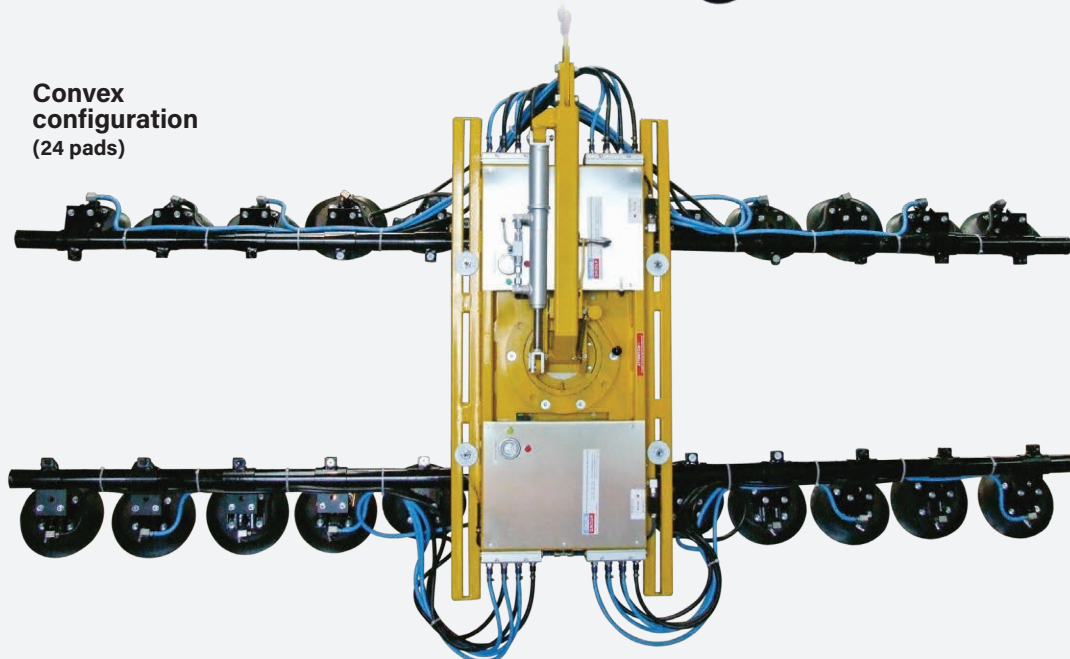


Hydraulic dampened tilt and manual rotate

Concave configuration
(24 pads)



Convex configuration
(24 pads)



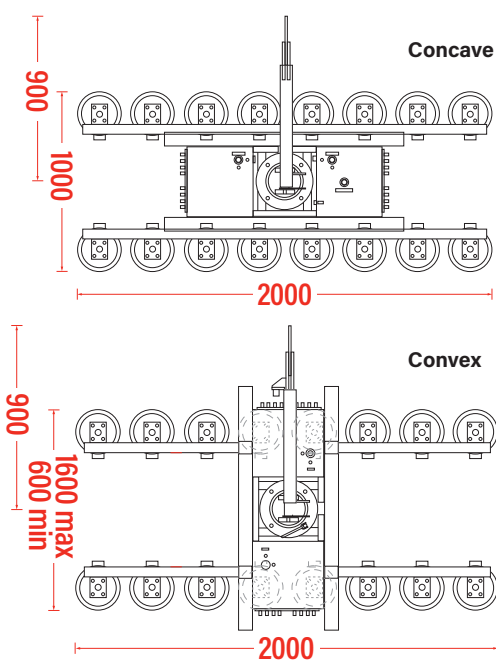
Optional cable remote control



Optional radio remote

DSZ2-12V Curved Glass Lifter

Technical Data (mm)
400kg (16 pads)



Technical Data (mm)
600kg (24 pads)

