

Bestseller Built For Safe

P11104 Intelli-Grip Dual Circuit [320kg]

This bestselling glass vacuum lifter is a convenient tool for lifting glass, metal, ceramics and other non-porous materials. The P11104 enables users to quickly manoeuvre loads into position with its 180° rotation and 90° tilt.

The P11104 vacuum lifter now includes innovative Intelli-Grip technology as standard. This pioneering safety feature monitors vacuum lifter performance, carrying out multiple diagnostics and communicating them live on a colour LCD screen. This allows the operator to determine issues such as leak rate, battery life and current lifter mode in use, but also serves as a diagnostic system for the use of the equipment.

Engineered and tested for its reliability, safety and durability, the P11104 lifter comes with a 320kg lifting capacity and on-board power with a rechargeable battery, so there are no tricky cords to deal with during operation.

An optional short hook (hire only) is also available when fitting glass under soffits or overhangs.

Key Features

- Capacity: 320kg
- Dual circuit vacuum system with reserve tank, non-return valve and vacuum gauge for each circuit
- 90° manual tilting from vertical to horizontal
- 180° rotation, lockable in three positions
- Integral maintenance-free vacuum pump
- 12v rechargeable battery with integral 110v or 240v charger and battery energy gauge
- On-board Intelli-Grip control panel



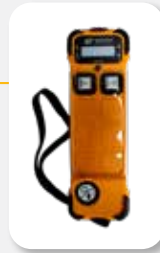
Technical Specifications

Safe working load (smooth, clean surface at 60% vacuum)	capacity:	320kg
Number of suction cups	cups:	4
Suction cup	description:	black rubber, not abrasion resistant, heat resistant up to 100°F
Suction cup diameter	diameter:	305mm
Suitable for lifting	material properties:	gastight / non-porous
	surface:	smooth
	example:	glass, plastic boards, ceramic plates, sheet metals, coated boards
Weight of lifter	approx:	34kg
Depth of lifter	depth:	230mm
Rotation	rotation:	90° manual left & right lockable
Tilt	tilt:	90° manual
Vacuum system	dual circuit:	1 pump, 2 vacuum reserve tanks
Voltage	pump:	12v DC from rechargeable battery
	battery charger:	110v/240v 50/60Hz single phase factory selectable
Optional accessories	optional:	short hook (eye bolt - hire only), radio remote control, curved pads (270kg capacity), stone pads (270kg capacity), low marking pads, heat resistant pads

ety



Radio remote control as standard

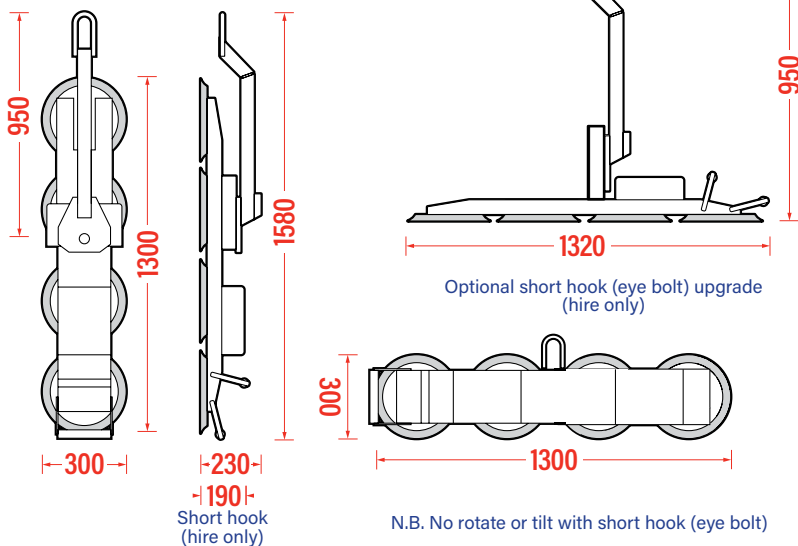


Reference Code
VGL11 IG



The Intelli-Grip technology monitors vacuum lifters in real-time.

Technical Data (mm)



Lift Bar Option - 635kg

