

Lifting Solutions

MCO26 Glass Hoist [300kg/360kg]

The MCO26 Glass Hoist is the ideal machine for lifting glass to a height of 5.15 metres. This multifunctional manual hoist features an integrated glass vacuum lifter and also includes pendant controlled vacuum operation.

Featuring a manual, assisted and lockable tilt function of 90° and a manual 360° rotation function, this machine is perfect for manipulating both long narrow panes of glass and rectangular shaped glass into position.

With a width of 850mm the MCO26 Glass Hoist is great for working on solid flat surfaces in confined areas thanks to its small working footprint.

Key Features

- Capacity: 360kg (with 6 pads), 300kg (with 4 pads)
- Maximum lifting height: 5150mm
- Weight: 321kg
- The vacuum lifter features manual 360° rotation and 90° tilt
- Breaks down for transportation

Reference Code

MCO26



Technical Specifications - Trolley

Maximum lifting height	5150mm
Width	850mm (with tri-wheels) 800mm (with castor wheels)
Length	1200mm
Weight (inc. counterweights)	321kg (9 x 16kg)

Technical Specifications - Vacuum Lifter

Capacity	300kg (4 pads), 360kg (6 pads)
Weight	45kg (without pad extensions) 55kg (with pad extensions)
Depth of lifter	170mm
Vacuum system	dual circuit
Rotation	360° manual
Tilt	90° manual

Standard Solid Wheels



Optional "Piano" Castor Tri-Wheels



Optional Hook



Optional Forks

Rated Loads - Hook Only

Position	1	2	3	4
Distance (from mast to hook)	39cm	47cm	55cm	63cm
Capacity	360kg	295kg	242kg	198kg



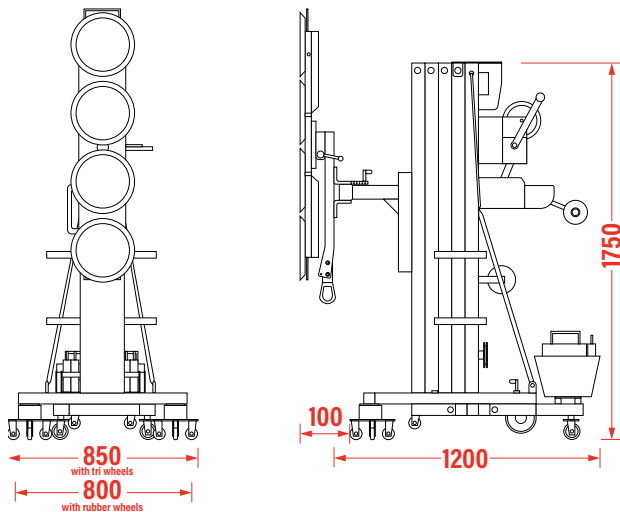
Features 360° rotation of the lifter head.
(Capacity with 4 pads is 300kg)

The MCO26 Glass Hoist has a maximum lifting height of 5.15m.

Shown With 2 x Pad Extensions
(Capacity with 6 pads is 360kg)



Technical Data - Trolley (mm)



Technical Data - Vacuum Lifter (mm)

