

Unique Low Profile Lifter

GGR800+ [800kg]

Building on the success of the GGR600+, the GGR800+ boasts a lifting capacity of 800kg, whilst being similar in size and weight as its predecessor.

The GGR800+ features a 300-800kg safe working load and 360° lockable rotation. The glazing installation ring allows glass panels to be rotated into position, yet can easily clear the narrow space between a façade and scaffolding. The GGR800+ has a low structural depth of only 140mm, making it slender enough to fit between a building envelope and scaffolding for when access to a façade is restricted.

Key Features

- Capacity: 300-800kg
- Dual circuit vacuum system with reserve tank, non-return valve and vacuum gauge for each circuit
- 90° manual tilting from vertical to horizontal (with lifting arm)
- Manual 360° lockable rotation (continuous)
- Integral maintenance-free vacuum pump
- 12v rechargeable battery with integral 110v or 240v charger and battery energy gauge
- Audio-visual low vacuum warning
- Four extension arms
- On-board control panel

Reference Codes

GGR800+ - **VGL106**
 Glazing Ring - **VGL106GR**



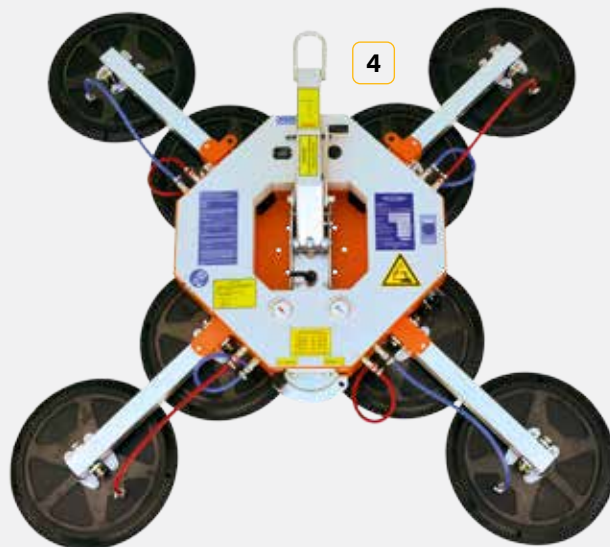
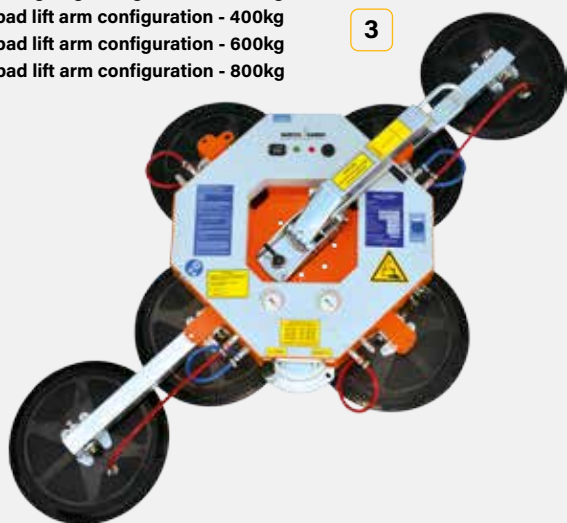
Technical Specifications

Safe working load (smooth, clean surface at 60% vacuum)	capacity:	800kg	600kg	400kg	300kg
Number of suction cups	cups:	8	6	4	4 (ring)
Suction cup	description:	black rubber, not abrasion resistant			
Suction cup diameter	diameter:	400mm			
Suitable for lifting	material properties:	gastight / non-porous			
	surface:	smooth			
	example:	glass, plastic boards, ceramic plates, sheet metals, coated boards			
Weight of lifter	approx:	80kg	70kg	60kg	60kg
Depth of lifter	depth:	220mm (GGR800*), 140mm (glazing ring)			
Rotation	rotation:	360° manual lockable in various positions			
Tilt	tilt:	90° manual (with lifting arm)			
Vacuum system	dual circuit:	1 pump, 2 vacuum reserve tanks			
Voltage	pump:	12v DC from rechargeable battery			
	battery charger:	110v/240v 50/60Hz single phase factory selectable			
Standard accessories	standard	4 x extension arms with pads, glazing ring kit			

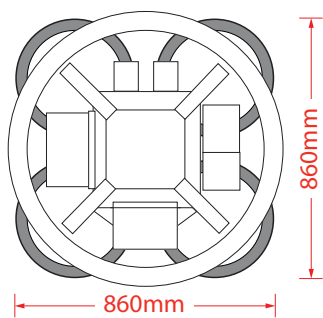


Please note: Extension arms cannot be used in the ring configuration.

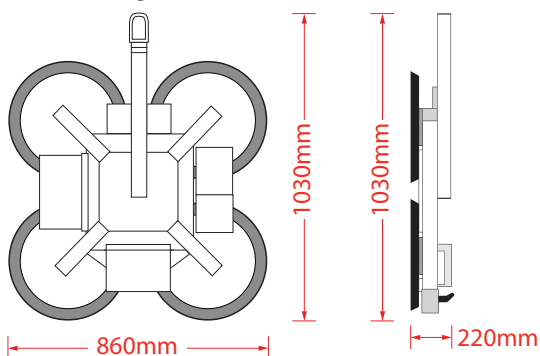
- 1 Glazing ring configuration - 300kg
- 2 4 pad lift arm configuration - 400kg
- 3 6 pad lift arm configuration - 600kg
- 4 8 pad lift arm configuration - 800kg



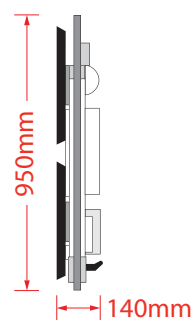
**Technical Data -
Glazing Ring (mm)**



**Technical Data -
4 Pad Configuration (mm)**



Only 140mm wide
in ring configuration



Technical Data - Alternate Configurations (mm)

