

800kg Capacity Tracker

Atom 800 [800kg]

With an 800kg max capacity, the Atom 800 has been developed in response to the growing needs of the glazing industry. Typically, glazing robots are fitted with solid or air-filled tyres for use on smooth flooring, however, the Atom 800 features rubber tracks to easily drive over rough surfaces.

Ideal for use on construction sites, The Atom 800 glazing robot features an eight-pad dual circuit vacuum system, hydraulic swivel, tilt, slewing and rotating head to easily pick glass up from the ground or a stillage, transport and manoeuvre into place.

At just 930mm wide, 1600mm high and with individually controlled tracks, the Atom 800 can easily move around site, through narrow paths and entrances thanks to its small footprint. This glazing robot is ideal for working in hard to reach, confined areas and is controlled via the multifunctional radio remote control, giving the operator full control over all hydraulic functions including driving.

The Atom 800 glazing robot can lift canopy glazing up to a maximum height of 4.25m or to 2.7m if glazing horizontally.

Reference Codes

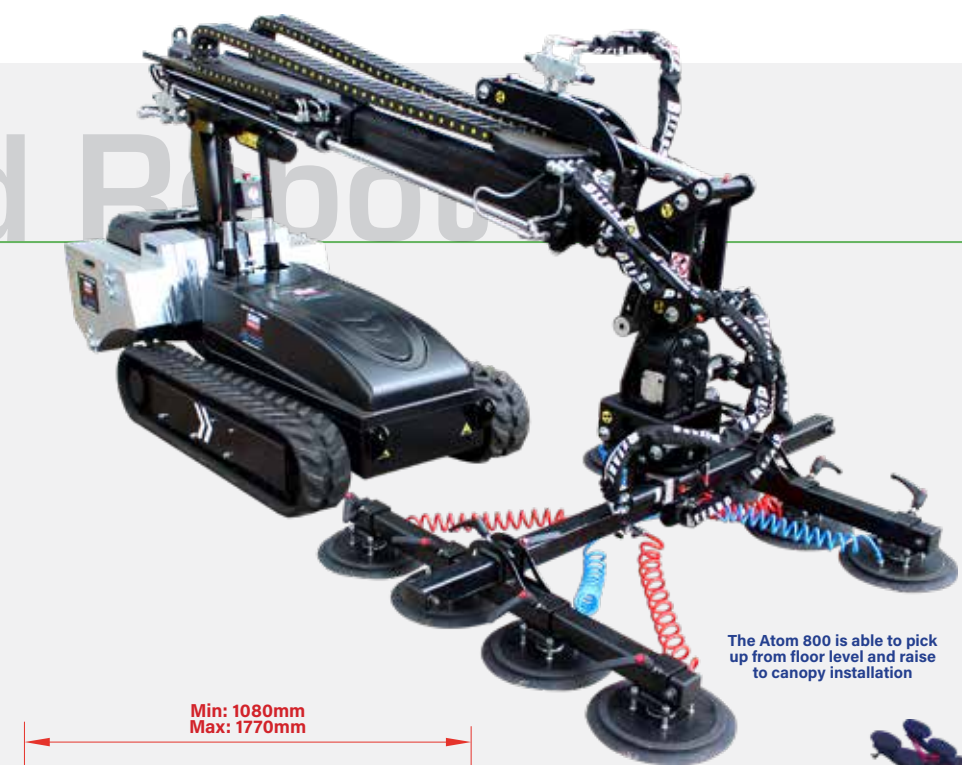
GRG31



Technical Specifications

Safe working load	capacity:	800kg
Suitable for lifting	material properties:	gastight / non-porous
	surface:	smooth
	examples:	glass, plastic boards, ceramic plates
Weight (approx.)	with counterweights:	1520kg
	without counterweights:	860kg
Width	width:	930mm
Travelling length	length:	2800mm
Travelling height	height:	1600mm
Number of suction cups	cups:	8
Boom in & out	in & out	2200mm
Powered head tilt	tilt:	90° up & down
Pad frame sideshift	sideshift:	100mm
Powered head rotation	rotation:	360°
Powered head slew	slew:	90° left & right
Vacuum system	dual circuit:	2 pumps, 2 vacuum reserve tanks
Power requirements	engine:	Vanguard 10hp
	fuel:	petrol





The Atom 800 features a dual circuit vacuum system with two pumps and two reserve tanks.



To aid in transportation and lifting the Atom 800 lifting points are provided.



The tracks of the Atom 800 allow the glazing robot to function over a variety of rough terrain.



The radio remote of the Atom allows the operator full control of hydraulic functions including driving.

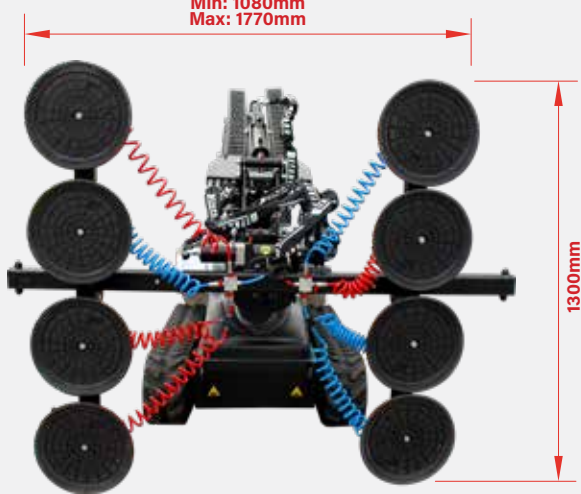


The Atom 800 is able to pick up from floor level and raise to canopy installation

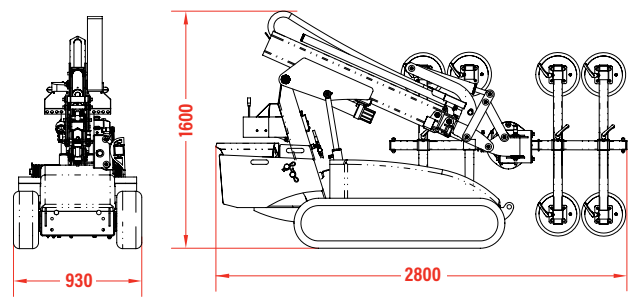
The powered tilt, rotation and slewing allows the Atom to reach in a wide variety of places

Min: 1080mm
Max: 1770mm

1300mm



Technical Data (mm)



The Atom 800 is able to reach out to a maximum working distance of 2.7m

Rated Loads

