

# Trailer, Special Use & Crawler Cranes

# Compact Lifting Muscle

## Mini Crawler Crane MCC294 [2.9t]

With an extending boom like a spider crane and the compact lifting muscle of a pick and carry crane, this mini machine provides an alternative solution to lifting challenges in restricted access areas.

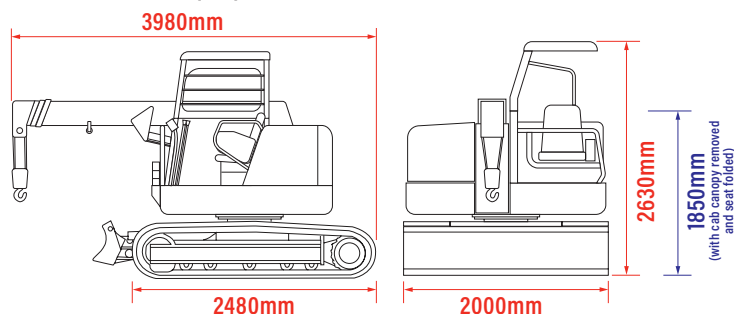
The mini telescopic crawler crane's 2.0m wide base and solid tracks provide it with 2.9 tonnes of lifting power and a 1.4 tonnes pick and carry capacity.

### Reference Code

MCC294



### Technical Data (mm)



### Technical Specifications

<b>Maximum capacity</b>	2.9t x 1.5m
<b>Maximum working radius</b>	9.35m
<b>Maximum lifting height</b>	10.6m
<b>Hook speed</b>	18m/min
<b>Telescopic system</b>	2.66m - 9.27m 11m/24.5 sec Fully automatic 4 section telescoping boom
<b>Hoist system</b>	-1° to 80°
<b>Slew system</b>	360° continuous/1.5rpm
<b>Drive</b>	Both sides independent steering control, hydraulic piston motor with in-built automatic brake, planet reduction gears, sprocket crawler
<b>Traction system</b>	0 - 3.0km/h (low), 0 - 4.5km/h (high) speed ±20° gradeability 1,860mm x 420mm track size 34.3 kPa (0.35kgf/cm <sup>2</sup> ) ground pressure
<b>Engine</b>	Izuzu AA-4LE1 PA, 4 cylinder diesel, water cooled 40.5kW (55PS)/3000rpm
<b>Weight</b>	5200kg
<b>Standard equipment</b>	Safe load indicator, steel tracks, 4 fall hook block, working light, hour meter and inclination alarm
<b>Optional equipment</b>	Single fall hook, 2 fall hook block, bolt-on rubber pads

### Total Rated Load Chart

### Pick & Carry Duties

Boom length	3.34m boom	5.57m boom	7.78m boom	10.0m boom	Boom length	3.34m boom	5.57m boom	7.78m boom	10.0m boom
Working radius (m)	Total rated load (kg)				Working radius (m)	Total rated load (kg)			
1.5	2900	2900	2300	1000	1.5	1450	1450	<b>NOT ALLOWED</b>	
2	2100	2100	1700	1000	2	1050	1050		
2.5	1500	1500	1200	1000	2.5	750	750		
2.66	1300	1300	1100	900	2.66	650	650		
3		1100	900	770	3		550		
3.5		900	750	620	3.5		450		
4		750	650	520	4		370		
4.5		650	550	450	4.5		320		
4.87		600	510	410	4.87		300		
5			490	400	5				
5.5			440	350	5.5				
6			390	320	6				
6.5			360	290	6.5				
7.07			330	260	7.07				
7.5				250	7.5				
8				230	8				
8.5				210	8.5				
9.27				200	9.27				