

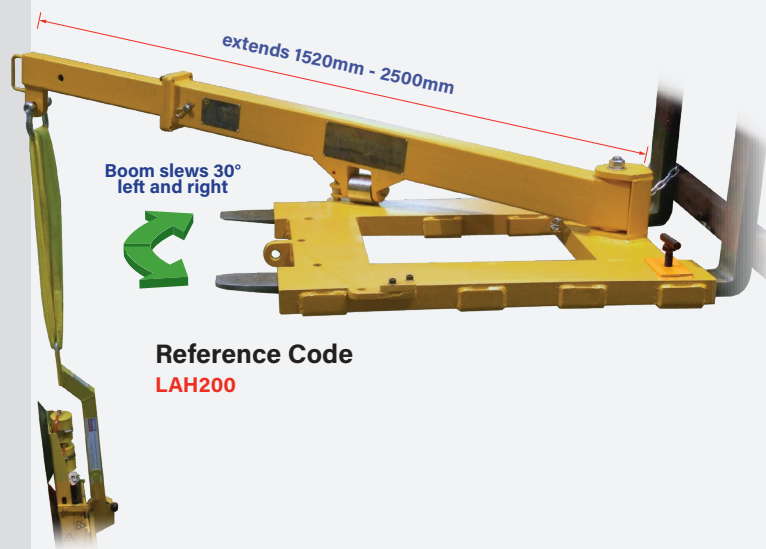
## Swing Arm Fork Lift Boom [500 - 1200kg]

This versatile fork lift attachment has five locking points set at 15 degree increments to conveniently slew a load, avoiding the need to reposition a fork lift or telehandler whilst on site.

The swing arm is extendable to 2500mm which varies the lifting capacity. Team with GGR's vacuum lifters for effortless glass and cladding installation work. Suitable for fork lifts with a 2500kg work load limit.

### Key Features

- Capacity: 500-1200kg depending on angle and boom length
- 1650mm (l) x 930mm (w) x 390mm (h)
- Weight: 120kg
- Accepts forks 150mm wide and 60mm deep
- Vacuum lifter hired/sold separately
- 2m chain and screw clamps included



### Technical Specifications

