

Overhang Beams

Counterweight Balancer 600 [600kg]

The Counterweight Balancer 600 has been designed for lifting and installing materials underneath building soffits and overhangs.

Perfect for both low level and high-level installation work, the Counterweight Balancer 600 features a lifting capacity of up to 600kg and can manoeuvre loads below overhangs up to a depth of 600mm.

The Counterweight Balancer 600 can be used alongside a below the hook vacuum lifter*, making it ideal for lifting glass, cladding and curtain walling materials (the weight of the vacuum lifter must be taken off the weight of the safe working load of the balancer).

Reference Code

CWB600

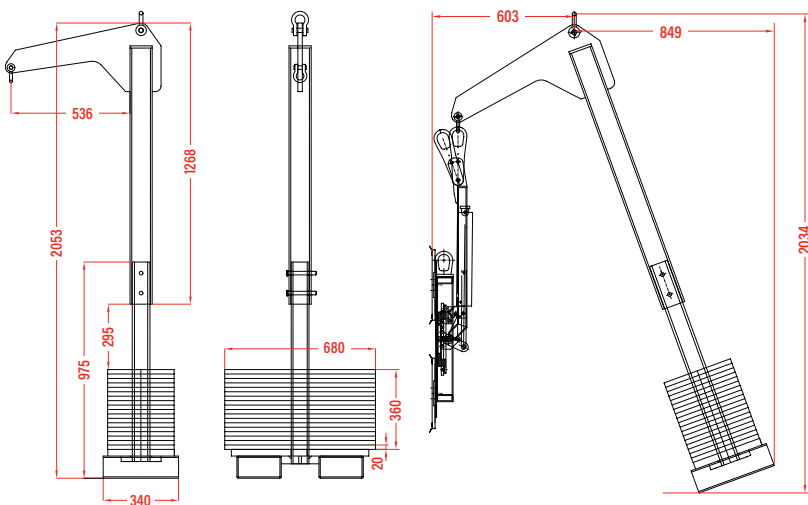
Technical Specifications

Safe working load	capacity: 600kg
Weight of lifter	weight: 636kg (with counterweights)
Depth of overhang	depth: 600mm
Balance control	control: counterweight saddle



The Counterweight Balancer 600 features forklift points to help with transportation

Technical Data (mm)



*use of below-the-hook vacuum lifters depend on type of project. Below the hook lifter not included.