

Trolleys

Glass Transporter 3000 [3000kg]

The Glass Transporter 3000 is a 3-tonne capacity heavy duty roller trolley for transporting glass, steel plates, plastic panels, stone slabs and facade elements across flat, smooth solid floors.

Featuring two carriages and factory prepared length of connecting tube, this trolley can transport materials from 1.7 metres to 12 metres in length.

The versatility of the Glass Transporter 3000 makes it ideal for moving heavy and wide elements as well as larger and smaller elements. This trolley features 8 rotating smooth, hard wearing roller lockable wheels for ultimate control when moving materials across site.

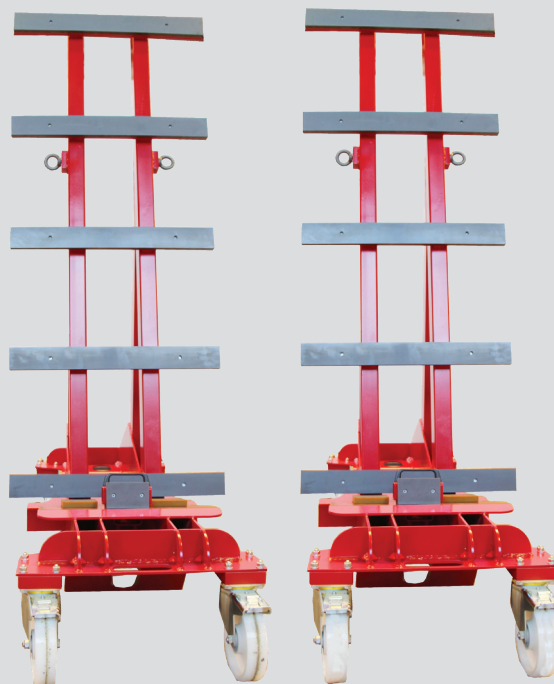
This product also includes eye bolts for ratchet straps to secure loads.

Key Features

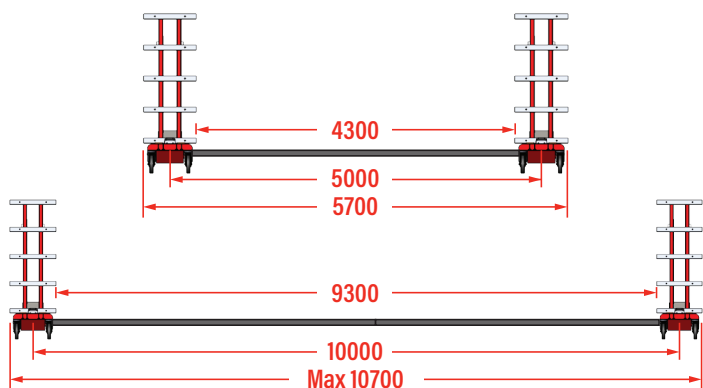
- Capacity: 3000kg (1500kg per trolley)
- Easy to transport
- Large wheels for working on-site
- Ground clearance: 130mm
- Shelf width: 25-225mm
- Maximum length of glass: 1.7m-12m
- Weight: 220kg (per trolley)

Reference Code

AGT49



Technical Data (mm)



Please Note: Connecting Tube can be customised for any glass length between 1.7m - 12.0m.

