

## Unique Low Profile Lifter

### GGR800+ [800kg]

Building on the success of the GGR600+, the GGR800+ boasts a lifting capacity of 800kg, whilst being similar in size and weight as its predecessor.

The GGR800+ features a 300-800kg safe working load and 360° lockable rotation. The glazing installation ring allows glass panels to be rotated into position, yet can easily clear the narrow space between a façade and scaffolding. The GGR800+ has a low structural depth of only 140mm, making it slender enough to fit between a building envelope and scaffolding for when access to a façade is restricted.

#### Key Features

- Capacity: 300-800kg
- Dual circuit vacuum system with reserve tank, non-return valve and vacuum gauge for each circuit
- 90° manual tilting from vertical to horizontal (with lifting arm)
- Manual 360° lockable rotation (continuous)
- Integral maintenance-free vacuum pump
- 12v rechargeable battery with integral 110v or 240v charger and battery energy gauge
- Audio-visual low vacuum warning
- Four extension arms
- On-board control panel

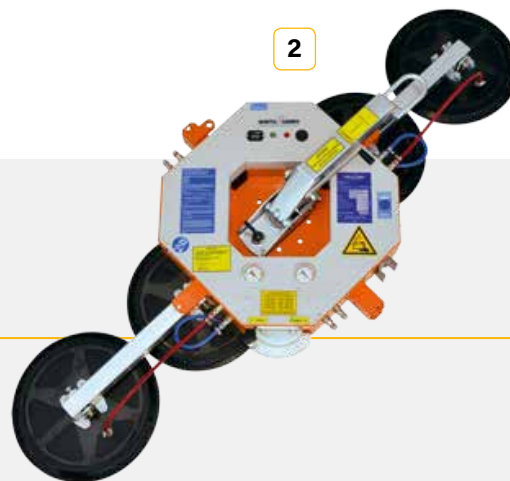
#### Reference Codes

GGR800+ - **VGL106**  
 Glazing Ring - **VGL106F**



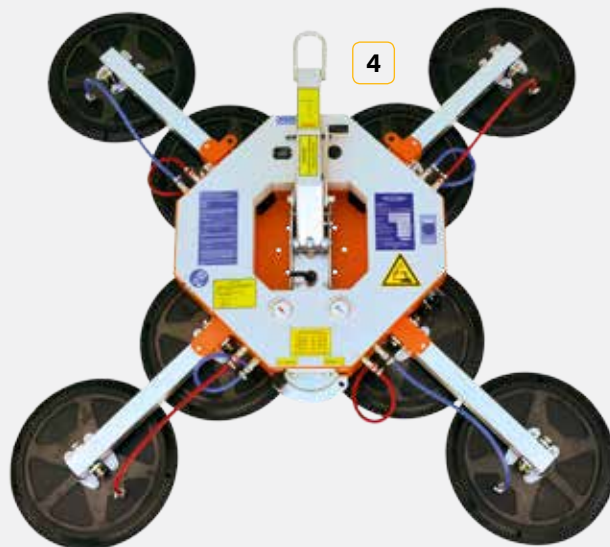
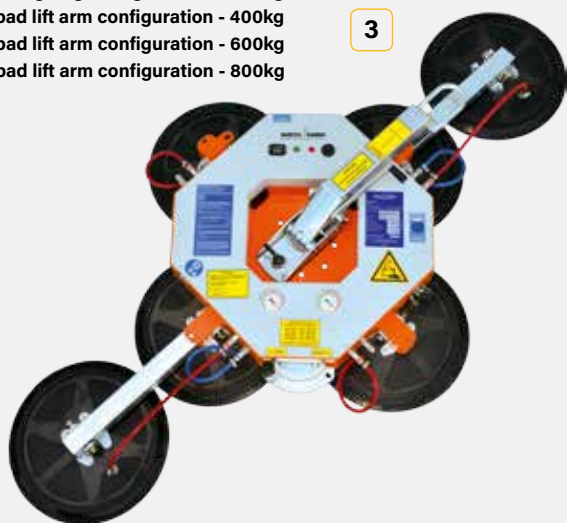
#### Technical Specifications

<b>Safe working load</b> (smooth, clean surface at 60% vacuum)	capacity:	800kg	600kg	400kg	300kg
<b>Number of suction cups</b>	cups:	8	6	4	4 (ring)
<b>Suction cup</b>	description:	black rubber, not abrasion resistant			
<b>Suction cup diameter</b>	diameter:	400mm			
<b>Suitable for lifting</b>	material properties:	gastight / non-porous			
	surface:	smooth			
	example:	glass, plastic boards, ceramic plates, sheet metals, coated boards			
<b>Weight of lifter</b>	approx:	80kg	70kg	60kg	60kg
<b>Depth of lifter</b>	depth:	220mm (GGR800*), 140mm (glazing ring)			
<b>Rotation</b>	rotation:	360° manual lockable in various positions			
<b>Tilt</b>	tilt:	90° manual (with lifting arm)			
<b>Vacuum system</b>	dual circuit:	1 pump, 2 vacuum reserve tanks			
<b>Voltage</b>	pump:	12v DC from rechargeable battery			
	battery charger:	110v/240v 50/60Hz single phase factory selectable			
<b>Standard accessories</b>	standard	4 x extension arms with pads, glazing ring kit			

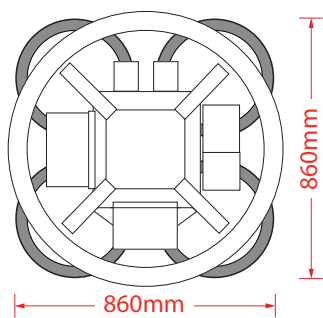


Please note: Extension arms cannot be used in the ring configuration.

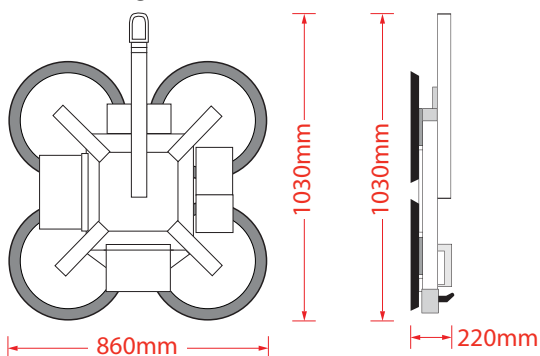
- 1 Glazing ring configuration - 300kg
- 2 4 pad lift arm configuration - 400kg
- 3 6 pad lift arm configuration - 600kg
- 4 8 pad lift arm configuration - 800kg



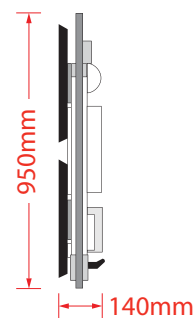
**Technical Data -  
Glazing Ring (mm)**



**Technical Data -  
4 Pad Configuration (mm)**



Only 140mm wide  
in ring configuration



**Technical Data - Alternate Configurations (mm)**

