

Trailer, Special Use & Crawler Cranes

The Latest Mini Crawler

Mini Crawler Crane MCC500D [5.0t]

A welcomed addition to GGR's mini crawler range, the MCC500D boasts from a huge 5 tonnes of static lifting power and an impressive 2 tonnes pick and carry capacity.

This powerful telescopic mini crawler crane is a perfect solution for carrying out heavy-duty lifting projects in confined and restricted spaces.

Compact yet powerful, the MCC500D crawler crane can lift to a maximum working height of 16.5 metres with its five section telescopic extending boom, which can be controlled by joystick for precision lifting.

This mini machines 2.49m wide base and solid tracks make it perfect for travelling and lifting on uneven or rough terrain – a truly versatile lifting machine.

The blade at the front of the MCC500D can level the ground to produce a working platform, or can be used to level the crane on sloping surfaces.

Reference Code

MCC500D



Technical Specifications

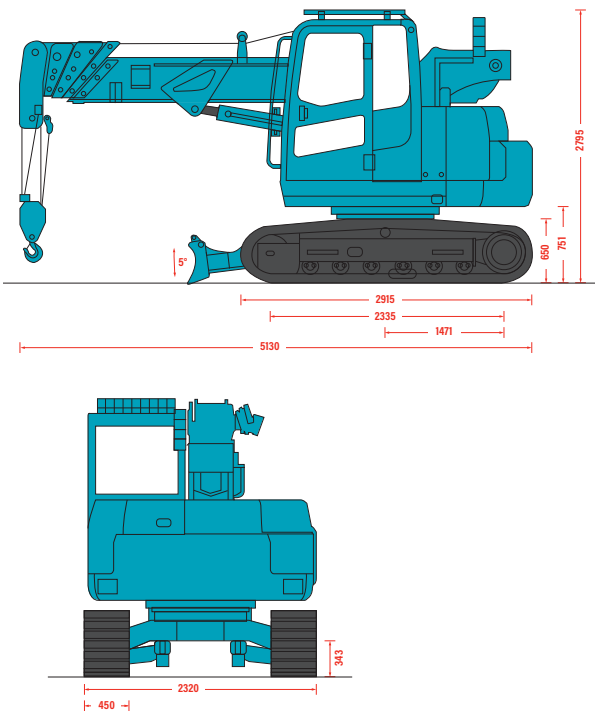
Maximum capacity	Capacity:	5.0t x 2.1m
Maximum working radius	Maximum radius:	14.53m
Maximum lifting height	Maximum height:	16.5m
Hook speed	Hook speed:	28m/min
Hoist rope	Hoist rope:	ø 10mm / 130m
Telescopic system	Boom length:	4.63m to 15.63m
	Telescopic speed:	15.63 m/ 23s out - 39s in
	Boom type:	Five section hydraulically telescoping boom
Hoist angle	Hoist angle & speed:	-2° - 80° (11s up / 9s down)
Slew speed	Speed:	3 RPM
Drive	Drive:	Hydraulic
Traction speed	Travel speed:	3.5km/h max
	Gradeability:	±20°
	Track length x width:	2335x450mm
	Ground pressure:	0.5kg/cm ²
Engine	Type:	YANMAR
	Maximum output:	511kW (69.5PS) at 2500rpm
	Fuel/fuel tank capacity:	125 litres
Dimensions	Dimensions (l x w x h):	5130mm x 2320mm x 2795mm
	Weight:	10910kg



Total Rated Load Chart

Working radius (m)	4.63M BOOM		7.38M BOOM		10.13M BOOM		12.88M BOOM		15.63M BOOM	
	STATIC	MOBILE	STATIC	MOBILE	STATIC	MOBILE	STATIC	MOBILE	STATIC	MOBILE
2.1	5000	2000	5000	2000	2600	1300	2000	not allowed		
2.5	3800	1900	3800	1900	2600	1300	2000	not allowed	1400	not allowed
3.0	3000	1500	3000	1500	2350	1175	2000	not allowed	1400	not allowed
3.5	2300	1150	2300	1150	2050	1025	1900	not allowed	1400	not allowed
4.0			2000	1000	1750	875	1650	not allowed	1400	not allowed
4.5			1700	850	1550	775	1450	not allowed	1320	not allowed
5.0			1400	700	1350	675	1300	not allowed	1200	not allowed
6.0			1000	500	980	525	950	not allowed	900	not allowed
7.0					780	390	750	not allowed	700	not allowed
8.0					580	290	550	not allowed	520	not allowed
9.0					410	205	400	not allowed	380	not allowed
10.0							380	not allowed	350	not allowed
11.0							320	not allowed	300	not allowed
12.0									280	not allowed
13.0									220	not allowed
14.0									200	not allowed
14.53									200	

Technical Data (mm)



Rated Loads

