

# Popular Slimline Crane

## GF30 Pick & Carry Crane [3.0t x 0.5m]

With its small working footprint, the GF30 pick and carry crane is the ultimate machine for lifting and shifting heavy loads in confined areas

This compact pick and carry crane is pedestrian operated and boasts a lifting capacity of up to 3 tonnes.

The GF30 pick and carry crane comes with a radio remote control and 180° rear hydraulic steering for optimum control when handling heavy loads on site.

Battery powered, it is the ideal machine for lifting in sensitive or congested environments including workshops, factories, power plants and busy construction sites.

### Key Features

- Capacity - 3.0t x 0.5m
- 180° rear hydraulic turning
- No outriggers
- Optional forklift attachment
- Radio remote control as standard

### Reference Code

**MCGF30**

GF30 with optional forks with a capacity of 1500kg



Optional full winch system



The 930mm narrow profile means easily fitting through doorways

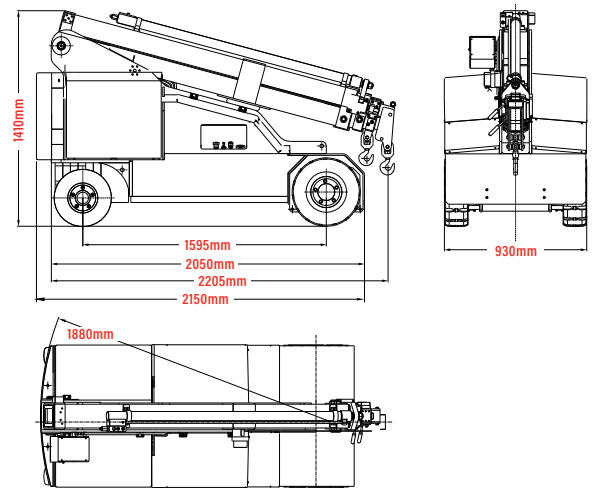


180° rear hydraulic steering for optimal control

### Technical Specifications

<b>Capacity</b>	3.0t x 0.5m
<b>Maximum working radius</b>	4.8m (5.5m with searcher hook)
<b>Maximum lifting height</b>	6.8m (7.3m with searcher hook)
<b>Dimensions</b>	2300mm (l) x 930mm (w) x 1410mm (h)
<b>Weight</b>	3500kg
<b>Boom length</b>	2.23 - 6.53m
<b>Boom type</b>	3 section box boom (1+2 hydraulic, 3 manual)
<b>Derricking angle</b>	-15° to 64°
<b>Steering</b>	rear 180°
<b>Tyres</b>	2 solid rear, 2 solid front
<b>Power source</b>	24v rechargeable battery
<b>Battery charger</b>	110v
<b>Travel speed</b>	3km/h
<b>Gradeability</b>	±20° (without load)
<b>Standard equipment</b>	Radio remote control, digital safe load indicator with display, radio-controlled proportional distributor, reversing alarm, emergency stop button, work light
<b>Optional equipment</b>	Searcher hook, jib, operator platform, buckets, full-winch system, low marking tyres, radio remote control, auto-levelling hydraulic system with front tool holder plate, forks, fork sideshifters

### Technical Data (approx. mm)



Standard radio remote



Optional forks  
(Capacity: 1500kg)



Optional searcher hook  
(Capacity: 800kg)

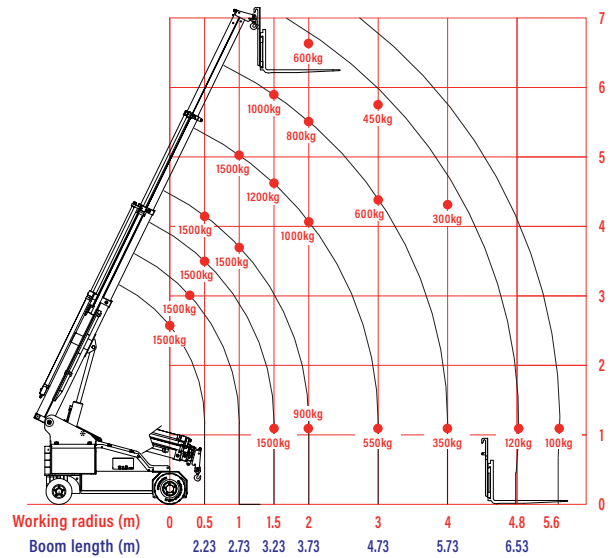


**GGR GROUP**  
SALES & HIRE

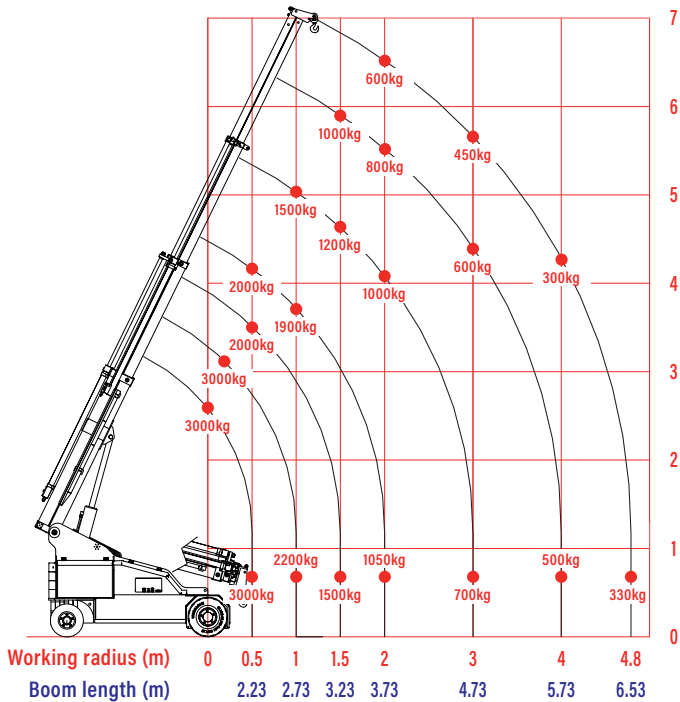
With Zero Emissions



**Forklift Rated Loads**



**Rated Loads**



**Searcher Hook Rated Loads**

