

Fixed Head Overhang B

Libro 800 Glass Lifter [800kg]

The Libro 800 Glass Lifter is a compact overhang beam that can lift loads of up to 800kg. This counterweight balancer benefits from an integrated vacuum lifter and is the ideal solution for lifting oversized glass and facade elements in difficult to access areas such as facade openings, eaves and building overhangs.

The Libro 800 Glass Lifter counterbalance beam is fitted with a rechargeable battery to power the 24 counterweight rack and pinion saddle and can be attached to both mobile cranes or tower cranes. Its detachable vacuum lifter and optional lifting arm make it ideal for a variety of separate below the hook lifting operations.

This counterbalance beam is controlled by cable remote control and the counterweight saddle can be moved along the beam to balance the load being lifted. The Libro 800 Glass Lifter is the perfect option for projects where materials are to be installed below an overhang of up to 2000mm and can lift at full capacity at each working length.

The Libro 800 Glass Lifter also features an anti-tilt switch, which stops the counterweight balancer tilting past $\pm 10^\circ$ for safety.

Reference Code

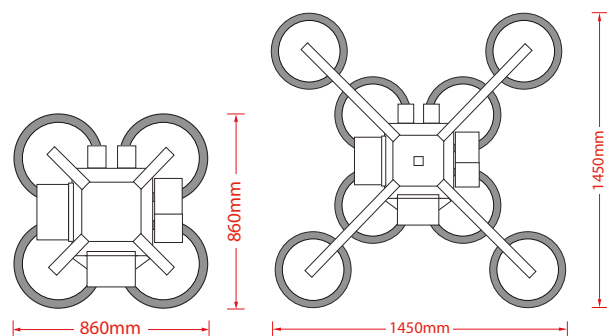
VGLB 800



Technical Specifications

| | | |
|-----------------------------|-----------|---|
| Safe working load | capacity: | 800kg (with 8 pads & 4 extension arms) 400kg (with 4 pads & no extension arms) |
| Weight of lifter | weight: | 1020kg (with counterweights) 384kg (without counterweights) |
| Depth of overhang | depth: | 2000mm |
| Balance control | control: | rack and pinion counterweight saddle |
| Power requirements | power: | 24V DC rechargeable battery 110/240v battery charger |
| Standard accessories | standard: | cable remote control |

Technical Data - Vacuum Lifter (mm)



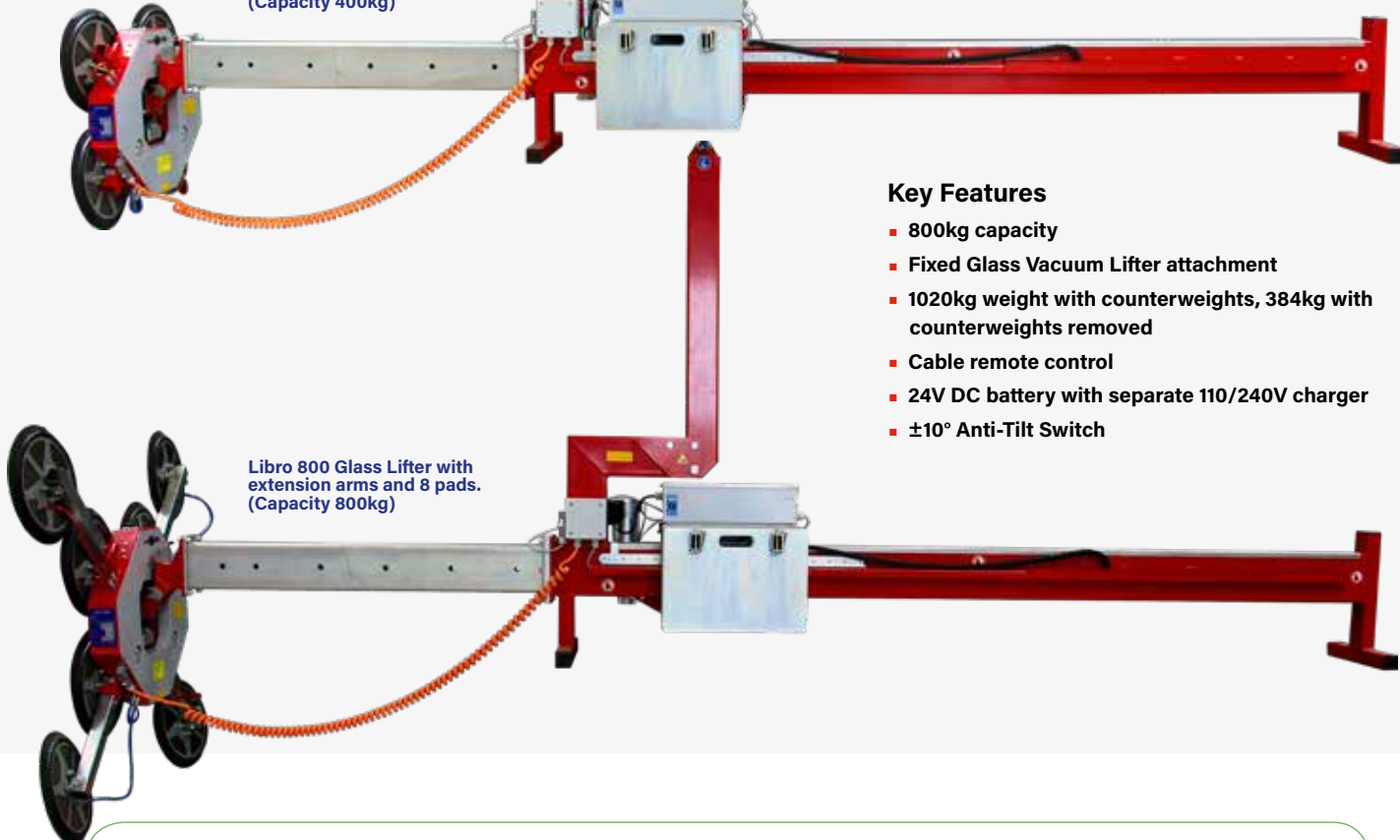
eam

Libro 800 Glass Lifter



Cable remote control as standard

Libro 800 Glass Lifter with 4 pads (Capacity 400kg)



Libro 800 Glass Lifter with extension arms and 8 pads. (Capacity 800kg)

Key Features

- 800kg capacity
- Fixed Glass Vacuum Lifter attachment
- 1020kg weight with counterweights, 384kg with counterweights removed
- Cable remote control
- 24V DC battery with separate 110/240V charger
- ±10° Anti-Tilt Switch

Technical Data (mm)

