

Technical Specification Sheet

TS1000 [VGL130]

[90-1000kg]

With a 1000kg capacity, the TS1000 is a single circuit machines designed to safely lift denser, larger format textured and patterned glass with ease.

It features a constant running vacuum pump and closed cell foam ring which moulds to irregular surfaces. The TS1000 can lift up to 1000kg (horizontal lift) or 600kg (vertical lift).

Four pad options are available to accommodate different load shapes and sizes:-

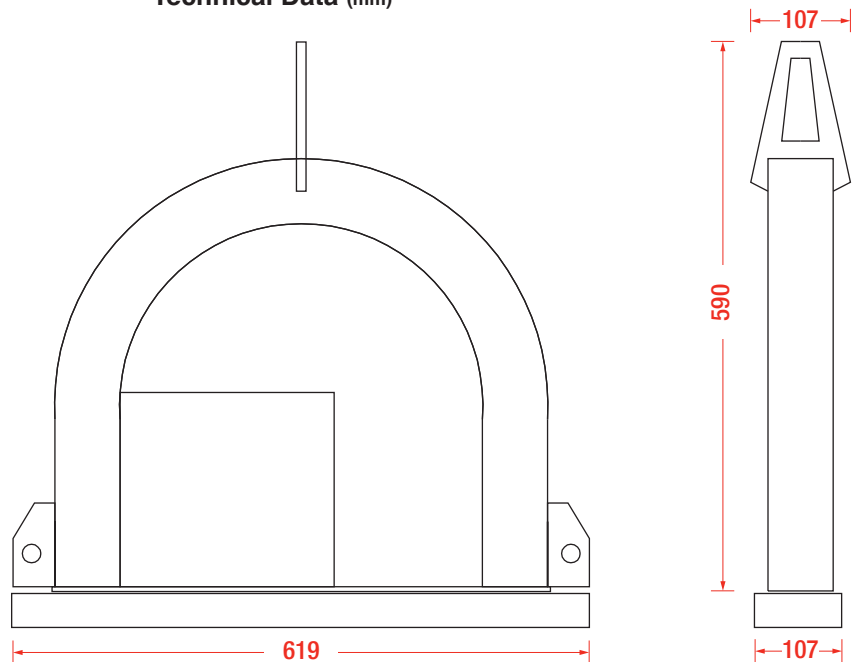
- 1000kg standard pad: 900mm (l) x 450mm (w)
- 500kg optional pad: 900mm (l) x 250mm (w)
- 300kg optional pad: 600mm (l) x 250mm (w)
- 90kg optional pad: 700mm (l) x 120mm (w)

Textured glass and other materials with irregular surfaces are subject to testing by GGR Group before being lifted using the TS1000.

Key Features

- **Capacity: 90-1000kg (depending on pad options)**
- **Dimensions: 619mm (l) x 107mm (d) x 590mm (h)**
- **Constant running single circuit vacuum system**
- **Rechargeable 12v battery**
- **240v battery charger**
- **Low vacuum warning alarm**
- **Optional radio remote control**
- **Weight with standard pad: 44kg**
- **Ref: VGL130**

Technical Data (mm)



Technical Specifications

Capacity	90-1000kg (depending on pad options)
Suitable for lifting	stippled, etched, frosted and other textured glass. Other materials possible, subject to testing.
Vacuum system	constant running single circuit
Dimensions	619mm (w) x 107mm (l) x 590mm (h)
Suction pad	closed cell foam ring pad
Standard 1000kg pad dimensions	1000mm (l) x 450mm (w)
Optional 500kg pad dimensions	900mm (l) x 250mm (w)
Optional 300kg pad dimensions	600mm (l) x 250mm (w)
Optional 90kg pad dimensions	700mm (l) x 120mm (w)
Weight of lifter	44kg with standard pad
Power	12v battery with 240v charger
Safety devices	audio-visual low vacuum warning
Optional accessories	90kg, 300kg and 500kg capacity pads, radio remote control

HIRE OR PURCHASE TODAY - CALL OUR SPECIALIST TEAM ON:

North: +44 (0)161 683 2580 - South: +44 (0)1844 202 071 - Scotland: +44 (0)1698 824 444